

# MEDIUM SWING GATE

MEDIUM SWING GATE



**10**  
YEARS OF  
GUARANTEE

## OUTSTANDING

- Gates manufactured from very rigid metal sections
- Robust gate appearance
- Versatile for openings
- Perfect adjustment of the gate leaves
- High quality materials and accessories
- Locking system with anti-levering feature
- Gates approved to the CE standard

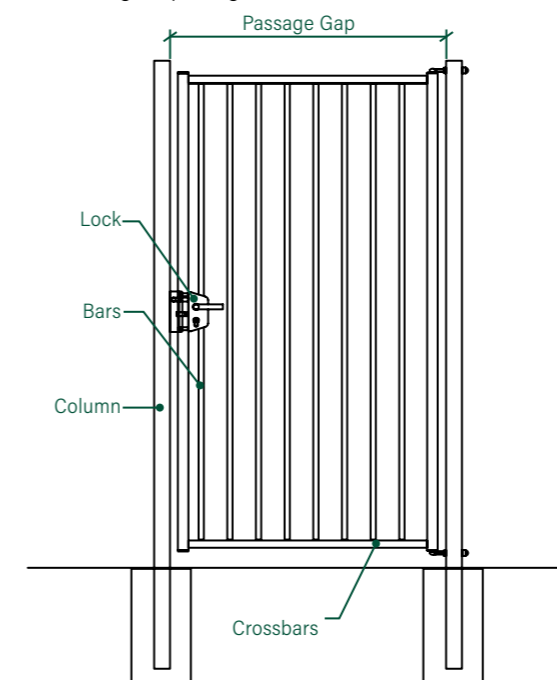
## Application places



## Assembly

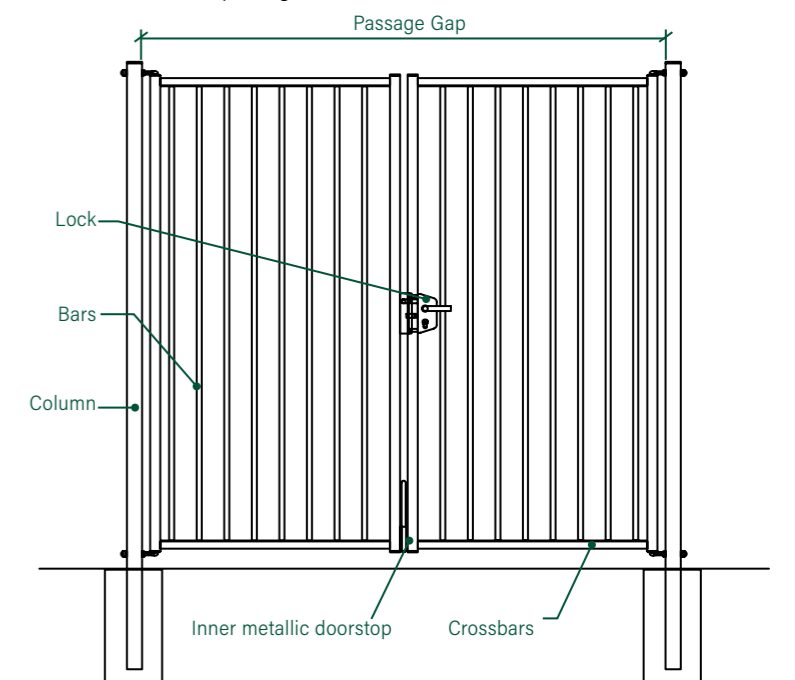
### ONE-LEAF GATE

Interior right opening (standard)



### TWO-LEAF GATE

Interior opening (standard)



## Technical features

- Gate posts and leaf meshes made up of a rectangular profile framework and square profile bars (see table)
- Support columns with square profile (see table), with small flanges for optionally attaching struts, the end post of the fence or the grips for embedding in a wall as required
- Barbed wire (extension arm) accessory fastened to the leaf by means of non-removable screws

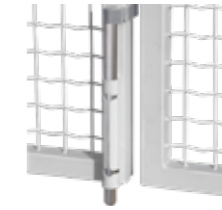
DESCRIPTION		WEIGHT (Kg)	HEIGHT (mm)	TOTAL WIDTH (mm)	PASSAGE GAP (mm)	COLUMNS (mm)	NO. OF LEAVES	FRAMES (mm)	BARS (mm)	CROSSBARS (mm)
WIDTH	HEIGHT									
1m00	1m00	26	1000	1127	1007	60x60x2	1	40x40x1.5	20x20x1.5	40x40x1.5
	1m20	28	1124							
	1m50	33	1523							
	1m80	37	1723							
	2m00	41	1960							
3m00	1m20	63	1124	3104	2984	80x80x2	2	40x40x1.5	20x20x1.5	40x40x1.5
	1m50	74	1523							
	2m00	84	1960	3144						
4m00	1m50	82	1523	4144	3984	80x80x2	2	40x40x1.5	20x20x1.5	40x40x1.5
	2m00	121	1960							

## Accessory column for residential areas



### LOCK

Lock fitted with a non-degradable polypropylene casing and cover. Option of installing an electric lock.



### METAL BOLT

Assembly consisting of a metal stop anchored to the floor and a latch mounted in the centre of the two leaves to prevent the door from being opened from the outside.



### POLYAMIDE LOCK FOR WICKET DOOR

Polyamide lock for garden gates. Clamp fixing ensures quick and robust mounting on square or round posts.

For Ø60mm profile

For Ø40mm profile



### METAL STOP

Metal stop for swing gates with internal opening.



### HINGES

Adjustable hinges for perfect gate adjustment.

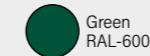
## Anticorrosion coating

All the materials of system are hot dip galvanised and plastic coated with **Rivisa® Protecline** anticorrosion coating system.

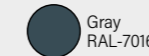
- Minimum thickness: 100 microns
- Option of applying the **Rivisa® Protecline Plus** plastic coating, which prolongs the useful life of the materials
- Option of applying the **Rivisa® Protecline Plus triple** plastic coating, which prolongs the useful life of the materials
- Available in several colours from the Rivisa RAL chart. Colours:



White RAL-9016



Green RAL-6005

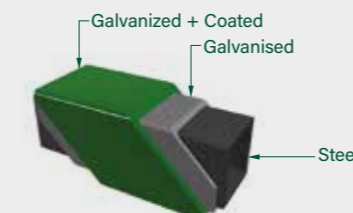


Gray RAL-7016

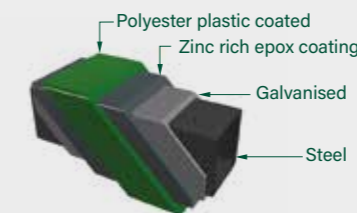


For other colours see Rivisa RAL chart

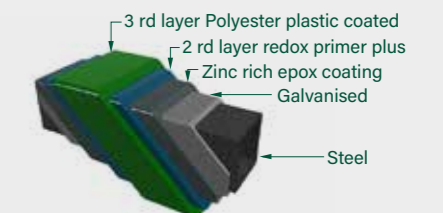
### protecline



### protecline PLUS



### protecline TRIPLE



## Markinge CE of swing doors

**Rivisa®** complies with the standard: **EN-13241-1:2003** which defines the safety and performance requirements for swing doors when installed in areas accessible to people. **Rivisa®** standard doors successfully passed the "TEST OF DECLARATION OF CONFORMITY" to obtain the certificate.

