

STRONG SWING GATE



OUTSTANDING

- Gates manufactured of very rigid metal section
- Robust appearance of the gates
- Versatility for openings
- Perfect adjustment of the gate leaves
- High quality materials and accessories
- Locking system with anti levering
- Gates approved to the CE standard

TECHNICAL FEATURES

- Leaf meshes made up of a rectangular profile framework and square profile bars (see table)
- Support columns with square profile (see table), with small flanges for optionally attaching, as required, the struts, the end post of the fence, or the grips for embedding in a wall
- Barbed wire (extension arm) accessory fastened to the leaf by means of non-removable screws

STANDARDIZED SIZES										
GATE MEASUREMENTS	1x1	1x1,5	1x2	2x2	3x1,5	4x1,5	3x2	4x2	5x2	6x2
HEIGHT (mm)	1030	1530	2030	2030	1530	1530	2030	2030	2030	2030
PASSAGE GAP (mm)	965	965	965	1920	2920	3920	2920	3920	5000	6000
TOTAL WIDTH (mm)	1215	1215	1215	2200	3200	4200	3200	4200	5280	6280
N° LEAVES	1	1	1	2	2	2	2	2	2	2

APPLICATION PLACES

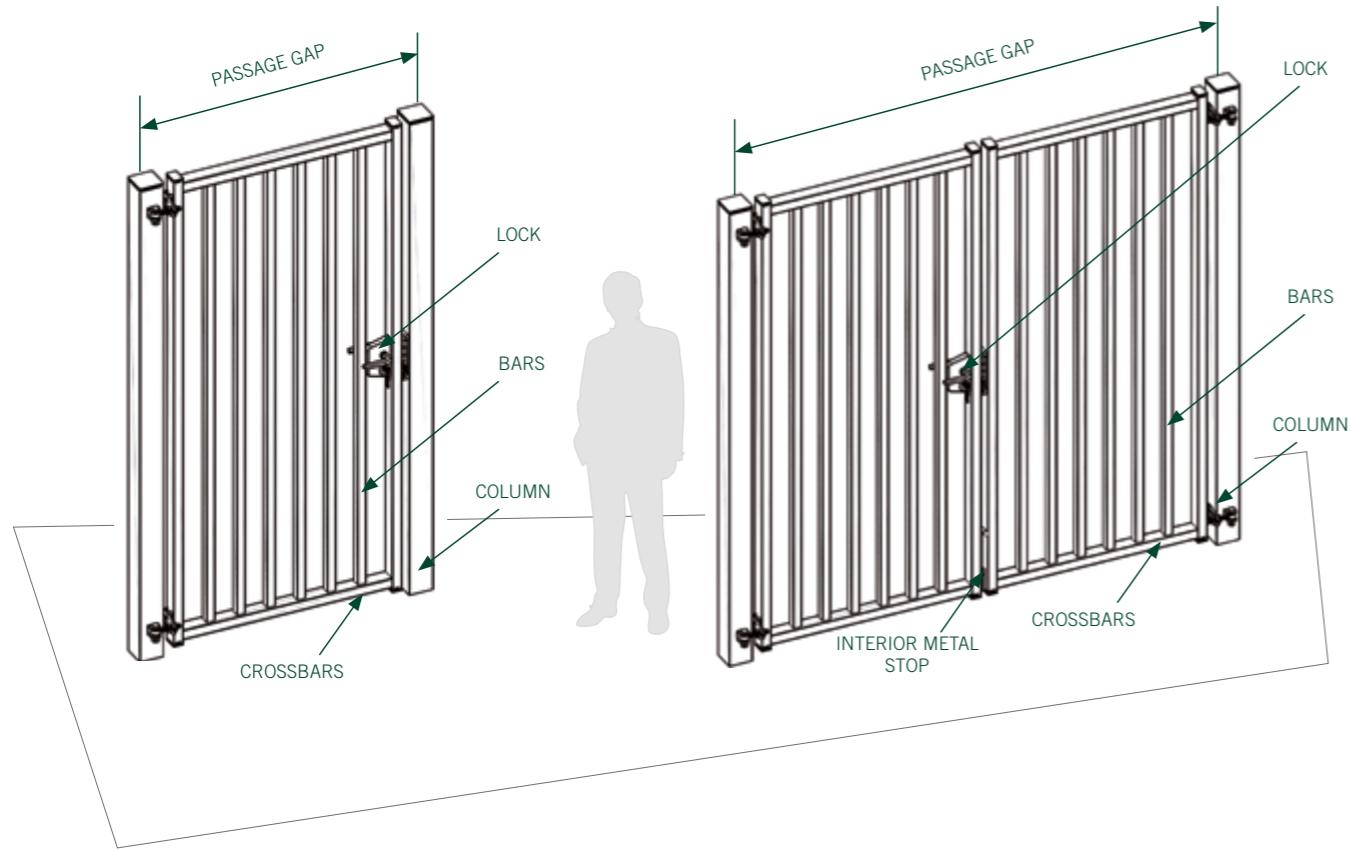


PROFILES										
UPRIGHTS	60x40	60x40	60x40	60x40	60x40	60x40	60x40	60x40	60x40	60x40
CROSSBARS	60x40	60x40	60x40	60x40	60x40	60x40	60x40	60x40	60x40	60x40
BARS	35x35	35x35	35x35	35x35	35x35	35x35	35x35	35x35	35x35	35x35
COLUMNS	100x100	100x100	100x100	100x100	100x100	100x100	100x100	100x100	140x140	140x140

ELEMENTS

ONE-LEAF GATE
Interior right opening (standard)

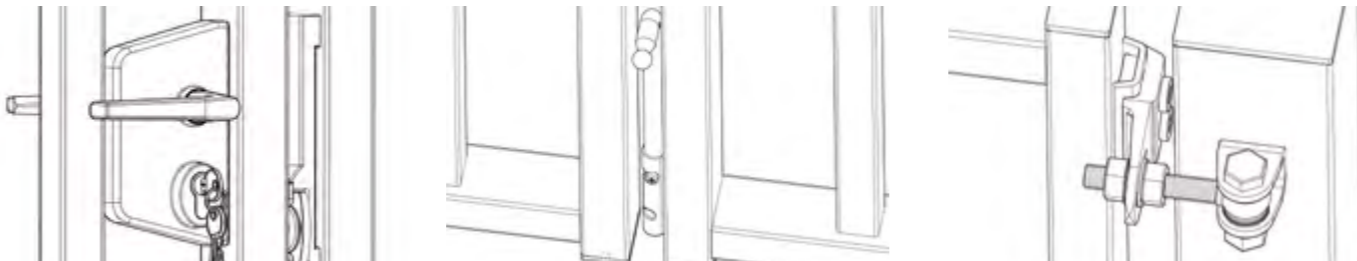
TWO-LEAF GATE
Interior opening (standard)



LOCK
Lock supplied with box and metallic keyhole cover. Option of installing an electric lock.

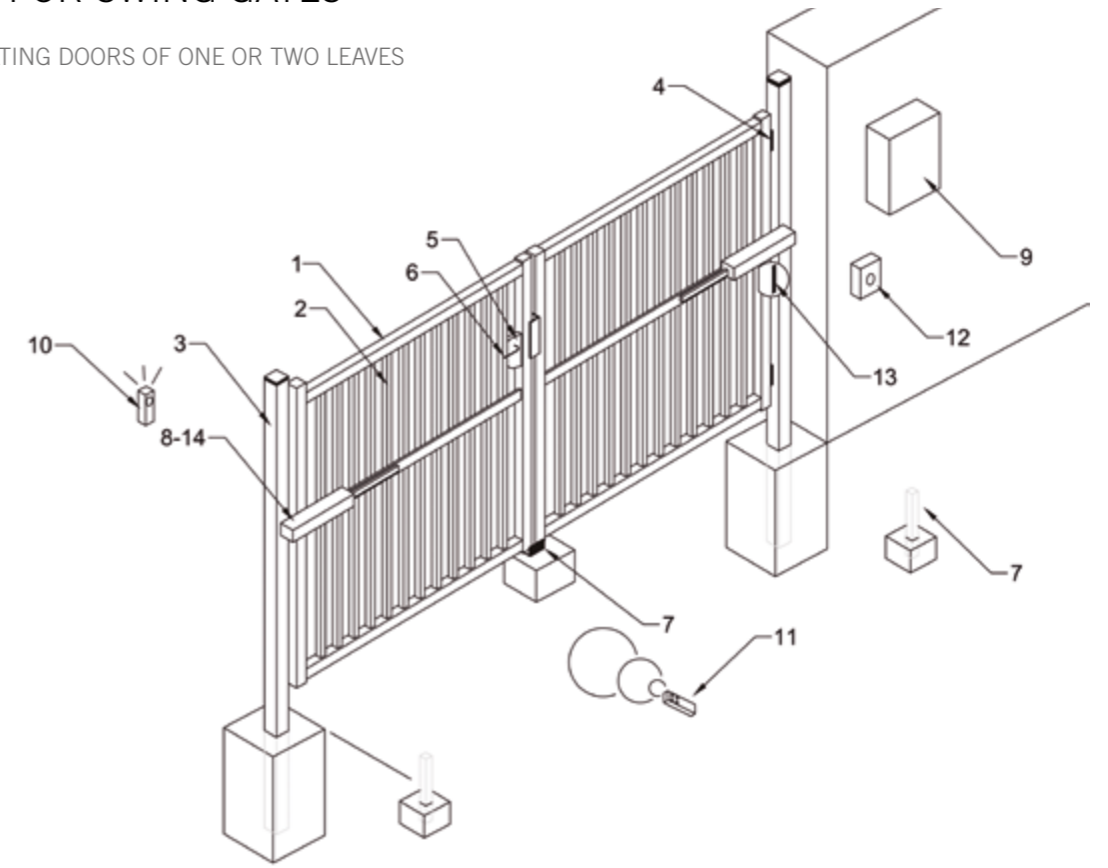
FLOOR BOLT
Assembly comprises a metal stop anchored to the floor and a bolt mounted in the centre of the two gates to avoid the possibility of the gate being opened from the outside.

HINGE
Adjustable hinges that allow greater adjustment of the gates.



AUTOMATISMS FOR SWING GATES

POSSIBILITY OF AUTOMATING DOORS OF ONE OR TWO LEAVES



1. Profile structure
2. Profile licks
3. Profile mark
4. Hinges
5. Lock
6. Manacle Drawer
7. Ceilings opening and closing
8. Motor-reducer
9. Picture operates
10. Recipient
11. Order transmitter
12. Selector of key
13. Photoelectric cell
14. Interior unfreezing / exterior



CE GATE MARK

Rivisa complies with the standard: EN-13241-1:2003, which defines the safety requirements and features of swing gates when they are installed in areas accessible by people.

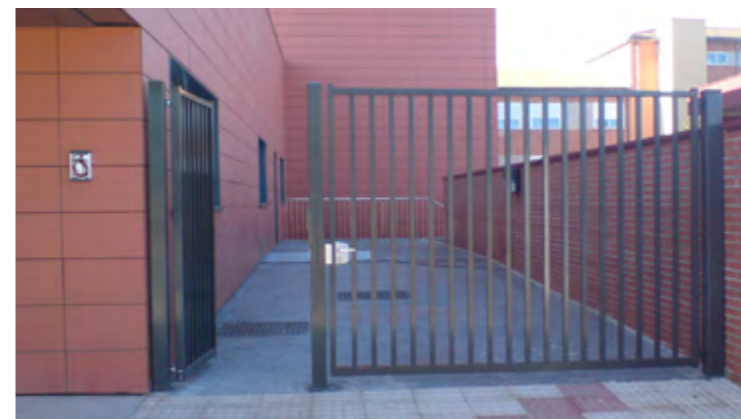
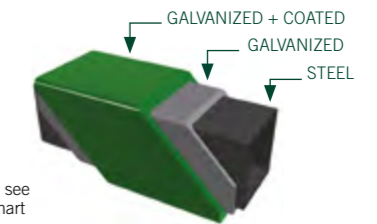
The standard Rivisa gates successfully passed the "CONFORMITY DECLARATION TEST" to obtain the certificate.

ANTICORROSION COATING

All the materials of the Strong Swing Gate are hot dip galvanized and plastic coated with Rivisa Protecline anticorrosion coating system.

- Minimum thickness: 100 microns
- Option of applying the Rivisa Protecline Plus plastic coating, which prolongs the useful life of the materials by 30%
- Available in several colours from the Rivisa RAL chart. Colours:

- galvanized
- white RAL-9016
- green RAL-6005
- gray anthracite RAL 7016
- for other colours, see the Rivisa RAL chart



STRONG SWING GATE