



## OUTSTANDING

- Rigidity and quality of the materials
- Exceptional life thanks to the anticorrosion coating
- Non-removable security screw system
- Easy installation
- Complete system

## TECHNICAL FEATURES

### POST AND ACCESSORIES

- Post type Lux 50 or Lux 80 according to heights, provided with a longitudinal rack for anchoring the accessories that will secure the panel (FAX bracket)
- Low carbon sheet, in accordance with the EN-10327 standard. Pull strength of 300 to 500 N/mm<sup>2</sup>
- Posts provided with polypropylene cap which is not degradable by the weather elements

### ELECTROWELDED MESH PANEL

- Electrowelded panel
- Dimensions of the panel: 200/50
- Diameter of the wire: 8/6/8mm or 6/5/6mm
- Upper or lower defensive edge, in accordance with the orientation of the panel

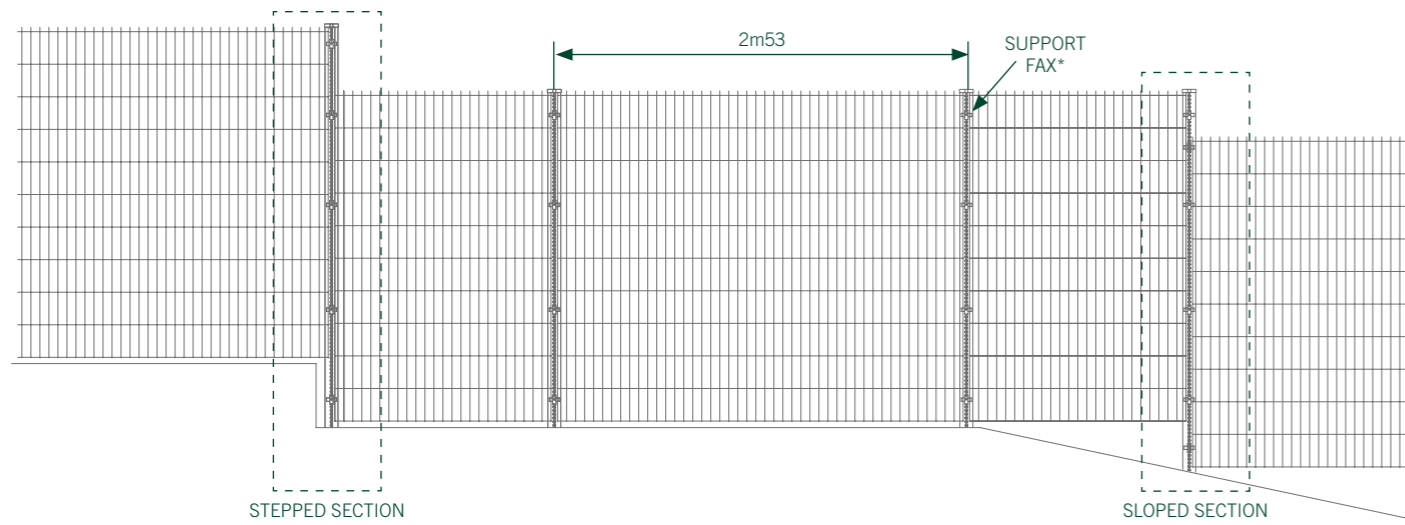
## APPLICATION PLACES



FENCE HEIGHT	PANEL DIMENSIONS		POST			N° BRACKETS x POST	DISTANCE BETWEEN POST AXIS
	LENGHT	HEIGHT	TYPE	THICKNESS	TOTAL LENGHT		
1m00	2m495	1m03	LUX 50	1,3mm/t.a.	1m25	2	2m53
1m20		1m23	LUX 50	1,3mm/t.a.	1m55	2	
1m40		1m43	LUX 50	1,3mm/t.a.	1m70	3	
1m60		1m63	LUX 80	1,5mm/t.a.	2m05	3	
1m80		1m83	LUX 80	1,5mm/t.a.	2m35	4	
2m00		2m03	LUX 80	1,5mm/t.a.	2m50	4	

# ASSEMBLY

## STRAIGHT SECTION



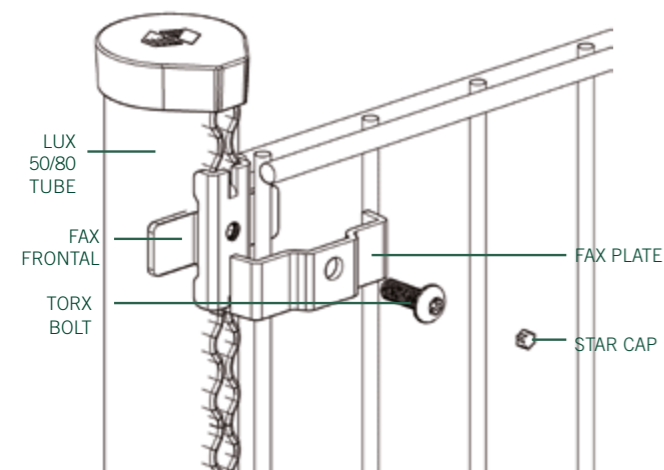
## STEPPED SECTION

Install the longest post (normal length + step) on the lower part and attach both the upper and the lower panels to it by means of twice the number of brackets.

## SLOPED SECTION

Install the longest post (normal length + slope) on the lower part and attach both the upper and the lower panels to it by means of twice the number of brackets.

## POST/FRAME FASTENING SYSTEM

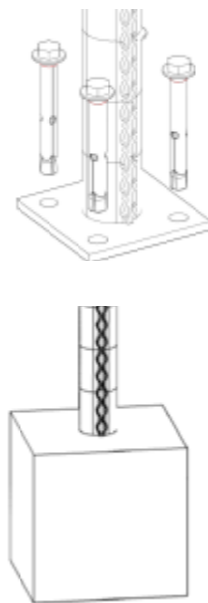


\* Fax metal bracket: Attached to the rack by means of a non-removable safety screw type Torx-05 of M.8x21 installed using a special wrench.

## ANCHORING SYSTEM

### BASE PLATE

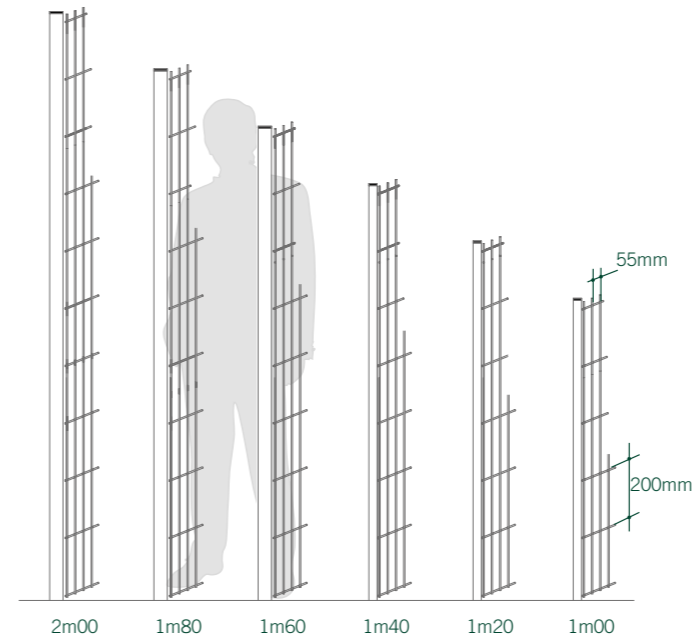
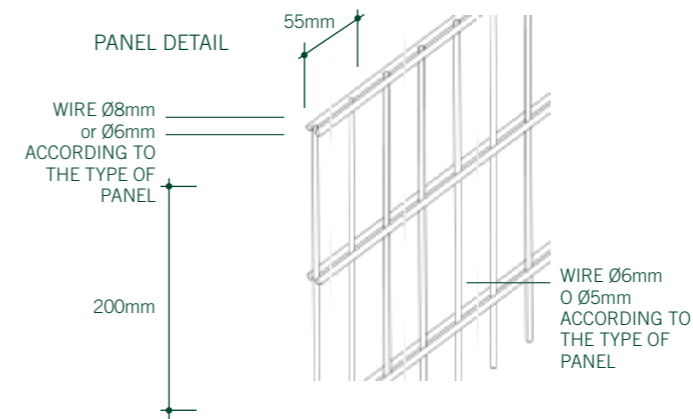
Optional installation of a base plate, for installing the post on a concrete wal. Dimension of a plate 120x120x6mm.



### FOUNDATION

On the ground or wall surfaces, the foundations of the posts can be made using concrete.

## SIDE VIEW



## ANTICORROSION COATING

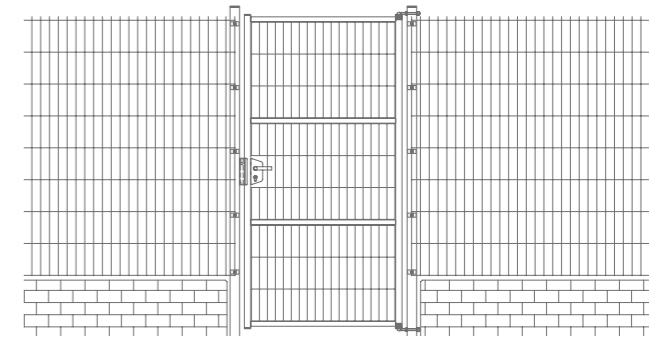
All the materials of the Fax DH fence are hot dip galvanised and plastic coated with Rivisa Protecline anticorrosion coating system.

- Minimum thickness: 100 microns
- Option of applying the Rivisa Protecline Plus plastic coating, which prolongs the useful life of the materials by 30%
- Available in several colours from the Rivisa RAL chart. Colors:



# GATES

The Fax DH fence harmonises perfectly with the Light swing gate system and the Classic Sliding gates.



## SECTION WITH EXTENSION (BAYONET)

Fence with 45° inclined extension bracket. Posts with extension bracket and 0.60 m mesh frame fastened to the inclined section using supports, or instead, several rows of barbed wire can be fastened to it.

