



## OUTSTANDING

- May be erected quickly without fastening fittings between post and frame
- Rigidity and quality of the materials
- Exceptional service life due to their anticorrosion coating
- Complete system

## Application places

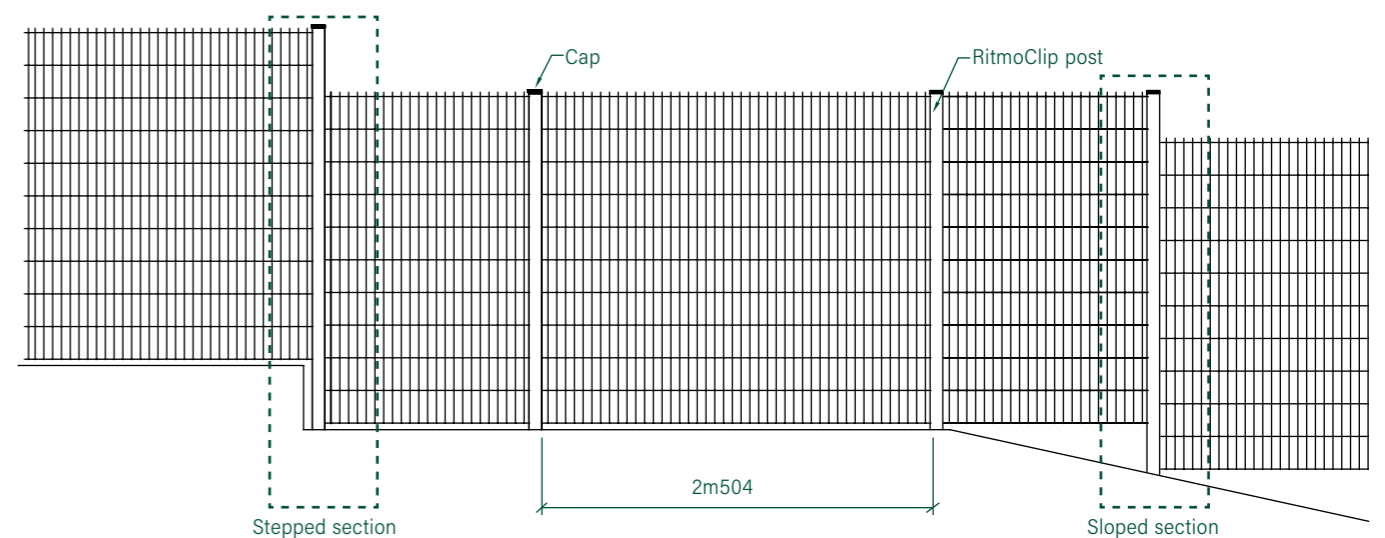


\*except for sporting areas

**10**  
YEARS OF  
GUARANTEE

## Assembly

Fixing system without clip-type brackets for easy and tamper-proof installation.



### THE STEPPED SECTION AND THE SLOPING SECTION

Install the longest post (normal length + step) on the lower part and attach both the upper and the lower panels to it using twice the number of brackets.

Install the longest post (normal length + slope) on the lower part and attach both the upper and the lower panels to it, using twice the number of brackets.

# Technical features

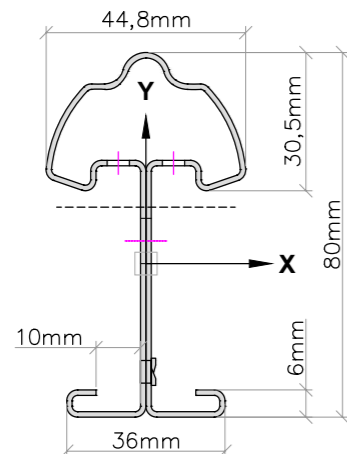
## POST

Ritmo-type post Clip with a thickness of 1.2mm. Profile specially shaped to help the installation of the panels. The panels mate to the post using easily installed clip-type supports.

- Special pliers for installation of the clips
- Steel carbon plate according to the EN-10327 standard
- Tensile strength from 300 to 400 N/mm<sup>2</sup>
- Posts provided with polypropylene cap which will not degrade in harsh weather

### Detail of Ritmo Clip post

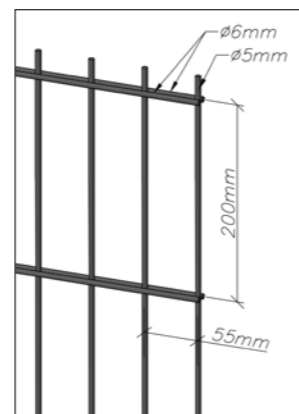
Profile weight: 2.70Kg/ml  
Galvanised sheet Z-275  
I/V= 5.54cm<sup>3</sup>



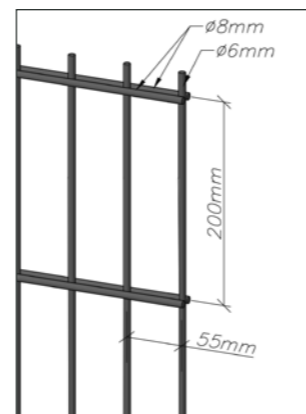
## PANEL

- Welded woven wire panels with multiple knots to increase rigidity
- Dimensions of the panels: 200x55mm.
- Wire diameter: 6/5/6mm o 8/6/8mm.
- Defensive spike finishing on top or bottom following panel orientation

### Detail panel 6/5/6



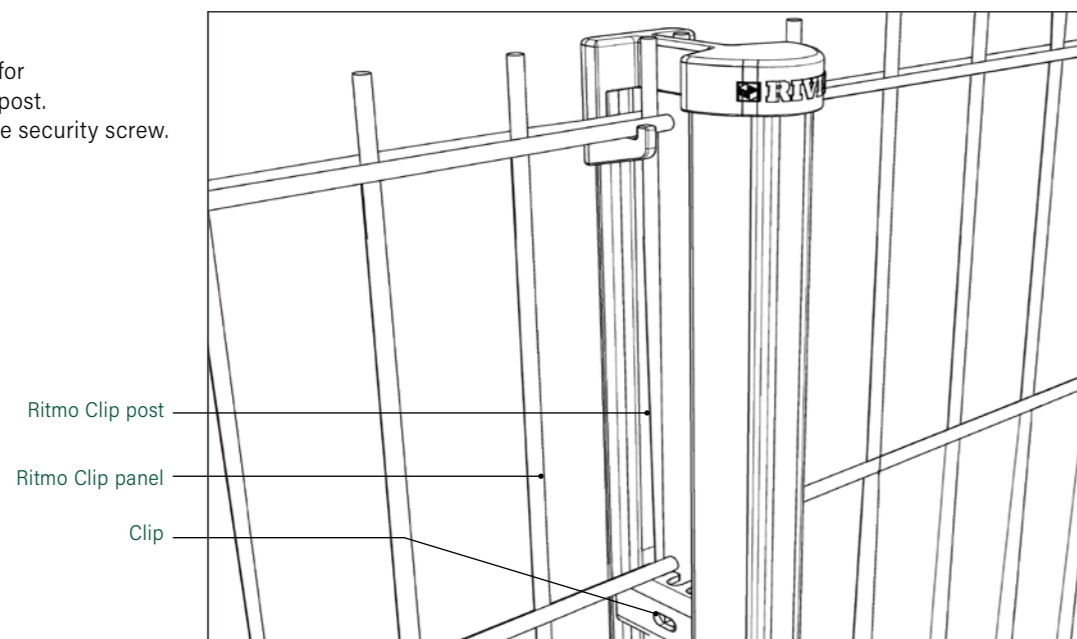
### Detail panel 8/6/8



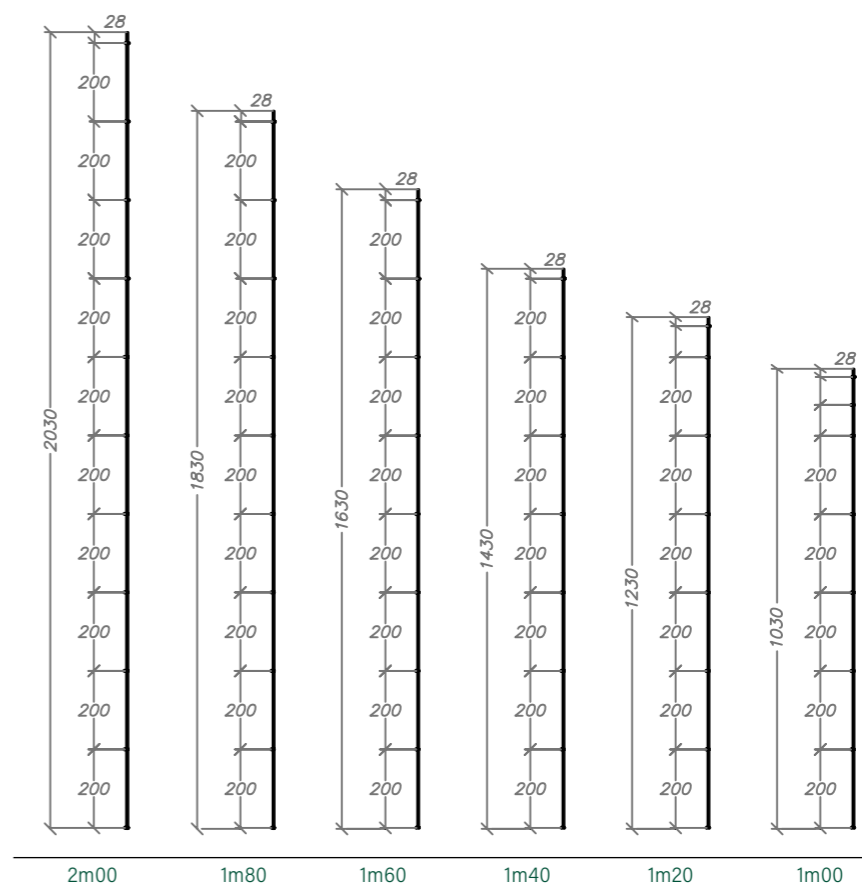
FENCE HEIGHT	PANEL		POST		No. OF BRACKETS x POST	MEASUREMENT BETWEEN POST AXES	
	LENGTH	TYPE	TYPE	TOTAL LENGTH			TOTAL LENGTH PLATE
1m00	2m 495	1m03	RITMO CLIP	1m25	1m10	2+2	2m504
1m20		1m23		1m55	1m30		
1m40		1m43		1m70	1m50	3+3	
1m60		1m63		2m05	1m70		
1m80		1m83		2m35	1m90	4+4	
2m00		2m03		2m50	2m10		

## CLIP SUPPORT

- Screwless locking clip for securing panels to the post.
- Optional non-removable security screw.



# Side view



# Anchoring system

## FOUNDATION

On the ground or wall surfaces, the foundations of the posts can be made using concrete.



## BASE PLATE

Optional installation of a base plate, for installing the post on a concrete wall. Dimension of a plate 120x120x8mm.



## BASE PLATE L

Option to add an L-plate L-plate to fix the posts to a concrete wall. Plate dimensions: 120x120x8mm.



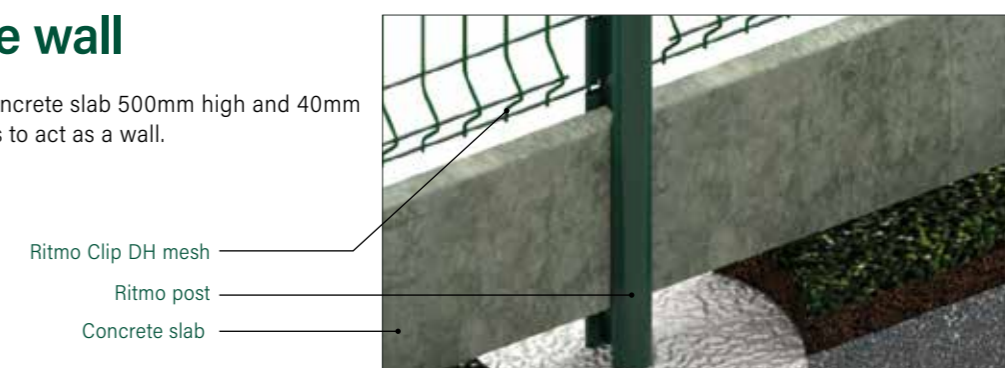
## SIDE PLATE.

Option of installing Ritmo posts with a side plate.



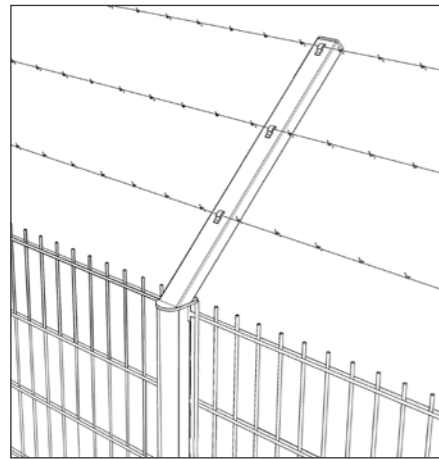
# Concrete base wall

- It is possible to include a concrete slab 500mm high and 40mm thick between the line posts to act as a wall.
- No civil works are needed.

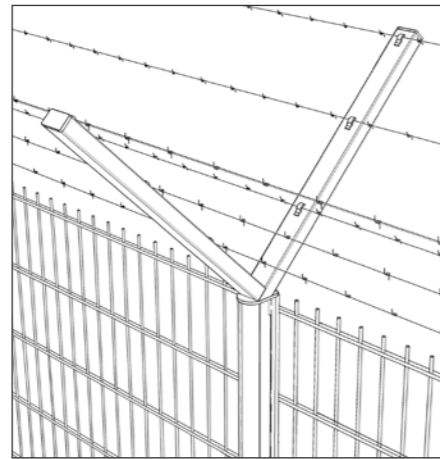


## Section with extension (bayonet)

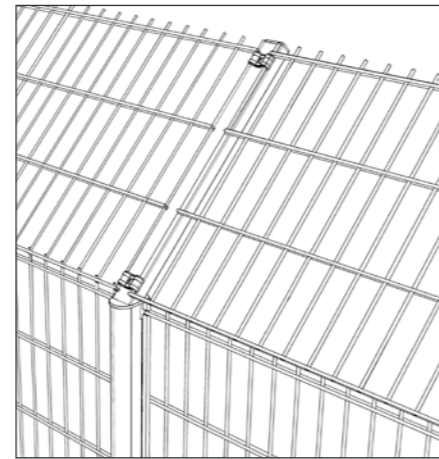
- Option of adding barbed wire to increase the security of the fence.
- Supplementary inclined arm to place the brackets and staples necessary for the installation of the barbed wire or the 0m 60 frame.



**BAYONET**  
Reversible bayonet system with barbed wire.



**DOUBLE BAYONET**  
Double bayonet system with barbed wire.



**BAYONET**  
Bayonet system with 0m60 frame.

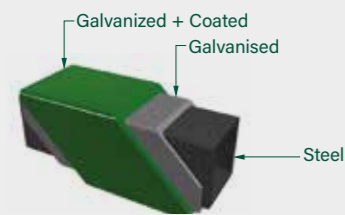
## Anticorrosion coating

All the materials of system are hot dip galvanised and plastic coated with **Rivisa® Protecline** anticorrosion coating system.

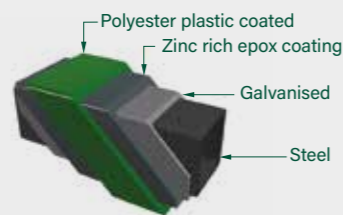
- Minimum thickness: 100 microns
- Option of applying the **Rivisa® Protecline Plus** plastic coating, which prolongs the useful life of the materials
- Option of applying the **Rivisa® Protecline Plus triple** plastic coating, which prolongs the useful life of the materials
- Available in several colours from the Rivisa RAL chart. Colours:



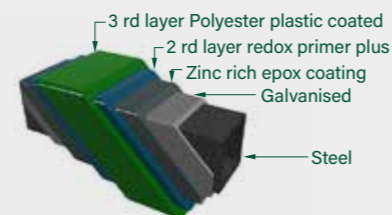
### protecline



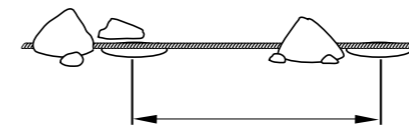
### protecline PLUS



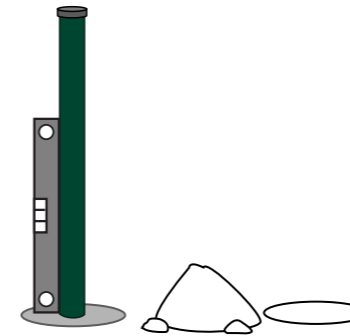
### protecline TRIPLE



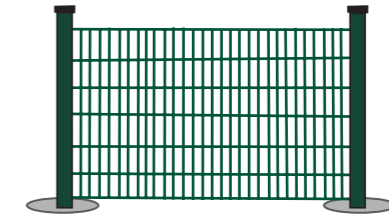
## Assembly manual



**1** Mark the line of the enclosure with a rope. Drill the holes for the post foundation.



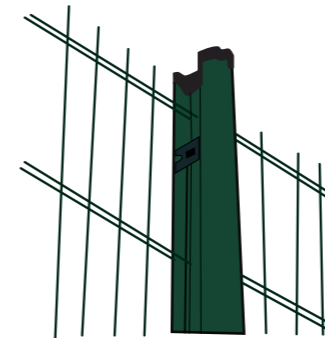
**2** Cement the first post and level it with a level.



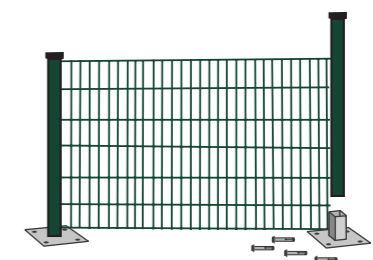
**5** Install the second post following the same steps.



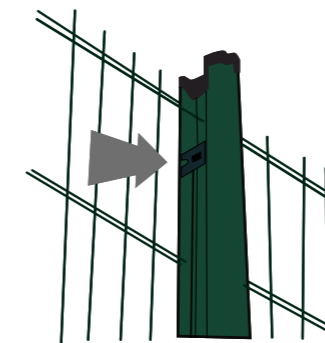
**6** Repeat as many times as necessary.



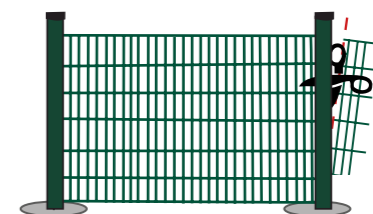
**3** Hook the first panel to the post.



**7** If anchoring with a base plate instead of a foundation, screw the base and insert the first post. Hang the panel and insert the next post.



**4** Attach the clips to secure the panels to the post, using the clip mounting pliers.



**8** If necessary, cut the panel to obtain a more precise finish.

