

OUTSTANDING

- Rapid assembly
- Inflexible, high-quality materials
- Clips with optional undetachable screws
- Exceptional service life thanks to anticorrosion coating
- Complete system

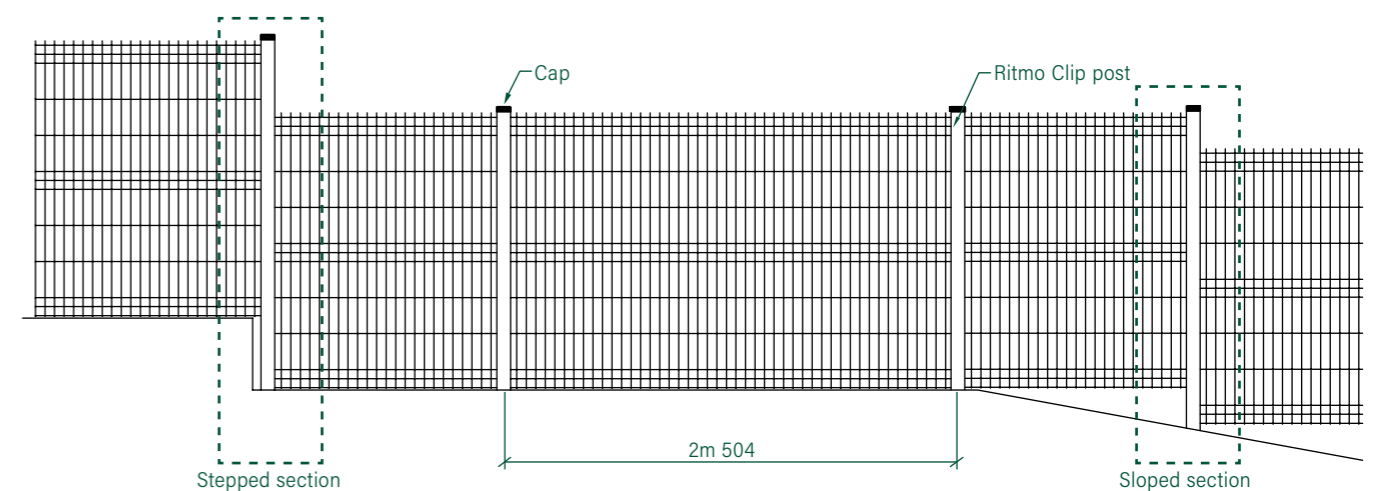
Application places

*except for sporting areas



Assembly

Fixing system without clip type brackets allowing for very simple and tamper-proof installation .



THE STEPPED SECTION AND THE SLOPING SECTION

Install the longest post (normal length + step) on the lower part and attach both the upper and the lower panels to it using twice the number of brackets.

Install the longest post (normal length + slope) on the lower part and attach both the upper and the lower panels to it, using twice the number of brackets.

10
YEARS OF
GUARANTEE

Technical features

POST

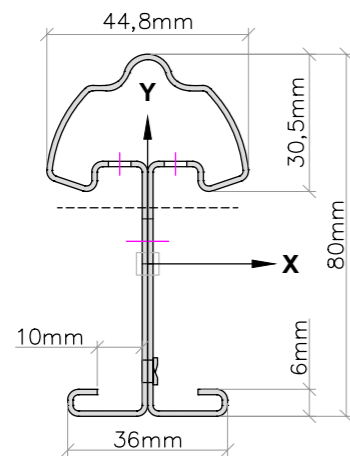
- Ritmo-type post Clip with a thickness of 1.2mm. Profile specially shaped to help the installation of the panels. The panels mate to the post using easily installed clip-type supports.
- Special pliers for installation of the clips
- Steel carbon plate according to the EN-10327 standard
- Tensile strength from 300 to 400 N/mm²
- Posts provided with polypropylene cap which will not degrade in harsh weather

PANEL

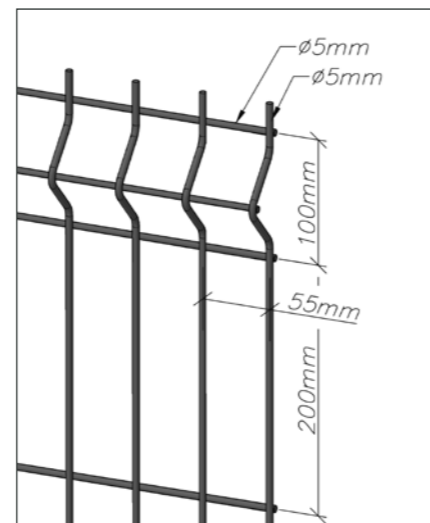
- Welded woven wire panels with multiple knots to increase rigidity
- Dimensions of the panels: 200/55
- Wire diameter: 5mm
- Defensive spike finishing on top or bottom following panel orientation

Ritmo Clip post detail

Profile weight: 2.70Kg/ml
Galvanised sheet
I/V= 5.54cm³



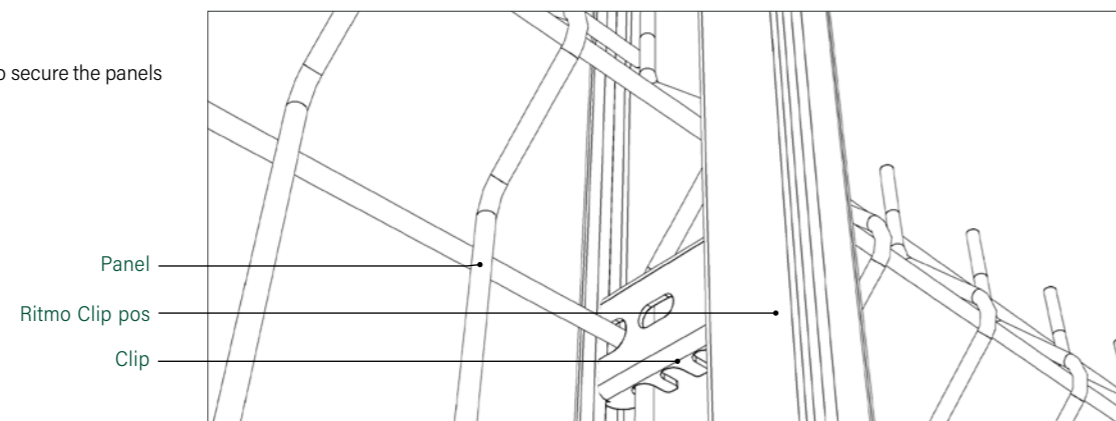
Detail of Ritmo Clip frame



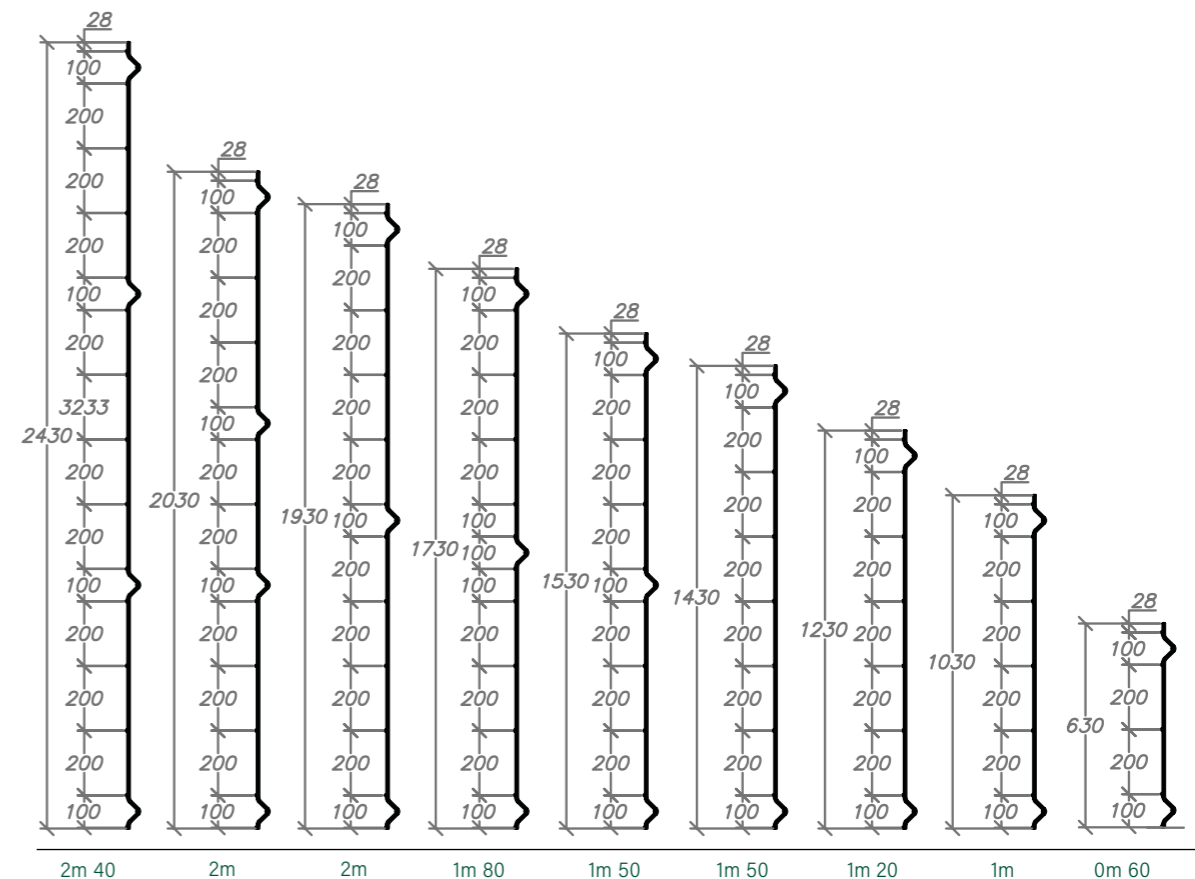
FENCE HEIGHT	PANEL			TYPE	POST		CLIPS X POST	DISTANCE BETWEEN POST AXES
	LENGTH	HEIGHT	FOLDS		TOTAL LENGTH CEMENTED	TOTAL LENGTH		
0m 60	2m 495	0m 63	2	RITMO CLIP	0m 90	0m 70	2+2	2m 504
0m 80		0m 83			1m 10	0m 90		
1m		1m 03			1m 50	1m 10		
1m 20		1m 23			1m 70	1m 30		
1m 50		1m 43	2m		1m 50	3+3		
1m 50		1m 53	2m		1m 60			
1m 80		1m 73	2m 30		1m 80			
2m		1m 93	2m 50		2m 10			
2m		2m 03	4		2m 50	2m 10	4+4	
2m 40		2m 43			2m 90	2m 50		

SUPPORT CLIP

Blockade clip without screw to secure the panels to the post.
Optional safety screw.



Side view



Anchoring system

FOUNDATION

On the ground or wall surfaces, the foundations of the posts can be made using concrete.



BASE PLATE

Optional installation of a base plate, for installing the post on a concrete wall. Dimension of a plate 120x120x8mm.



BASE PLATE L

Option to add an L-plate L-plate to fix the posts to a concrete wall. Plate dimensions: 120x120x8mm.



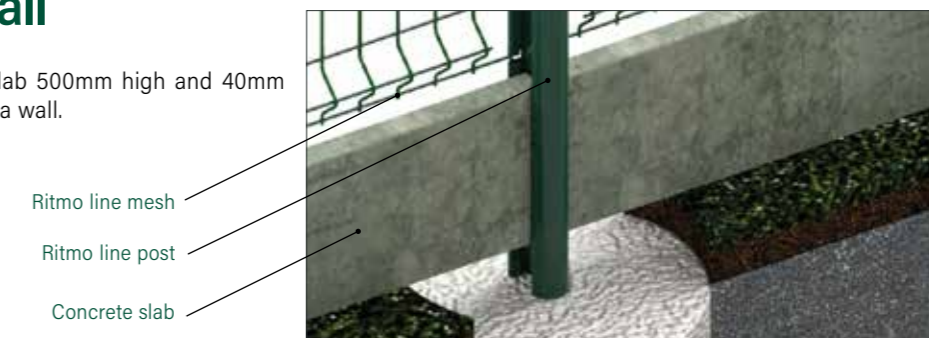
SIDE PLATE.

Option of installing Ritmo posts with a side plate.



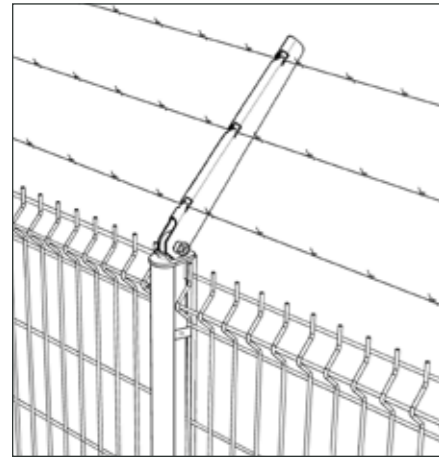
Concrete base wall

It is possible to include a concrete slab 500mm high and 40mm thick between the line posts to act as a wall.
No civil works are needed.

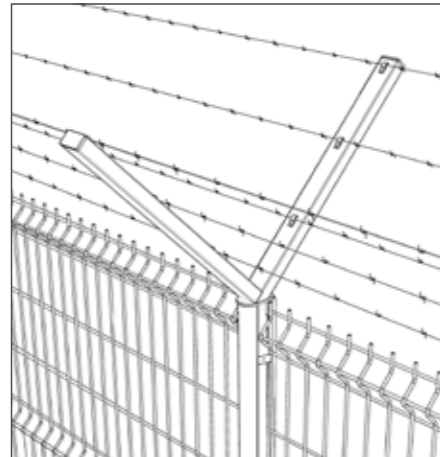


Section with extension (bayonet)

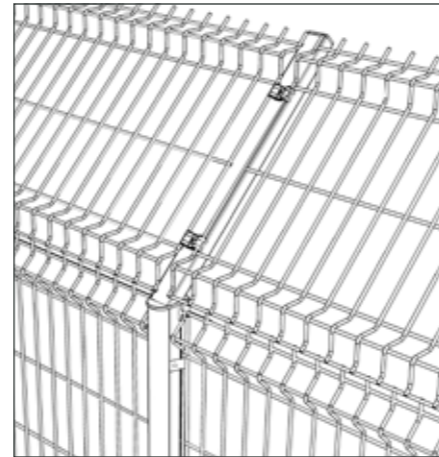
- Option of adding barbed wire to increase the security of the fence.
- Supplementary inclined arm to place the brackets and staples necessary for the installation of the barbed wire or the 0m 60 frame.



BAYONET
Reversible bayonet system with barbed wire.



DOUBLE BAYONET
Double bayonet system with barbed wire.



BAYONET
Bayonet system with 0m 60 frame.

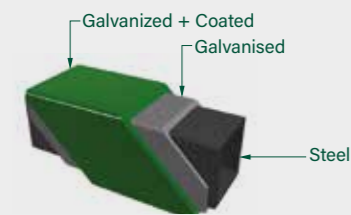
Anticorrosion coating

All the materials of system are hot dip galvanised and plastic coated with **Rivisa® Protecline** anticorrosion coating system.

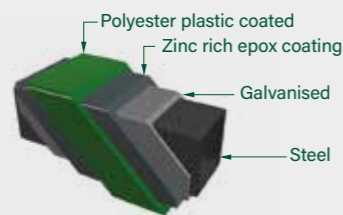
- Minimum thickness: 100 microns
- Option of applying the **Rivisa® Protecline Plus** plastic coating, which prolongs the useful life of the materials
- Option of applying the **Rivisa® Protecline Plus triple** plastic coating, which prolongs the useful life of the materials
- Available in several colours from the Rivisa RAL chart. Colours:



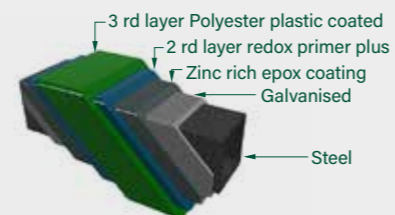
protecline



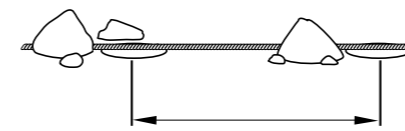
protecline PLUS



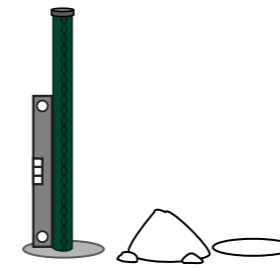
protecline TRIPLE



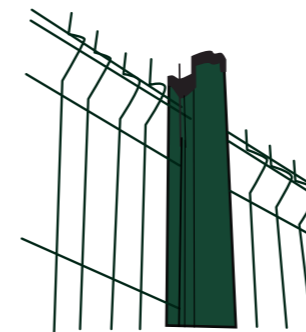
Assembly manual



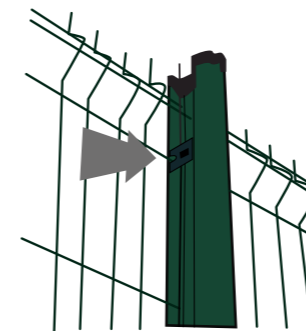
1 Mark the line of the enclosure with a rope. Drill the holes for the post foundation.



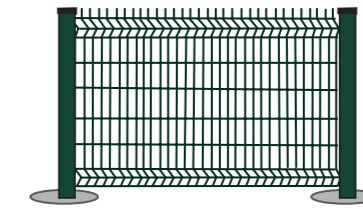
2 Lay the first post on the foundation and plumb it with the help of a level.



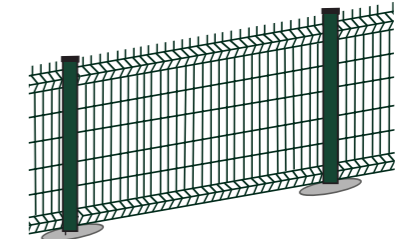
3 Place the first panel on the post, in the position where it will be installed.



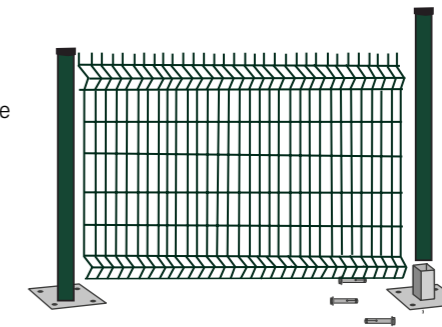
4 Attach the clips to secure the panels to the post, using the clip mounting pliers.



5 Install the second post following the same steps.



6 Repeat the operation as many times as necessary.



7 If base plate anchoring has been used instead of foundation anchoring, screw in the base and insert the first post. Hook in the panel and insert the next post.



8 If necessary, trim the panel for a more accurate finish.

