

## OUTSTANDING

- Fence of a residential design
- Frames that allow a certain level of privacy
- Rapid and simple erection
- Non-removable security screw system
- Unique and versatile post/frame fastening system

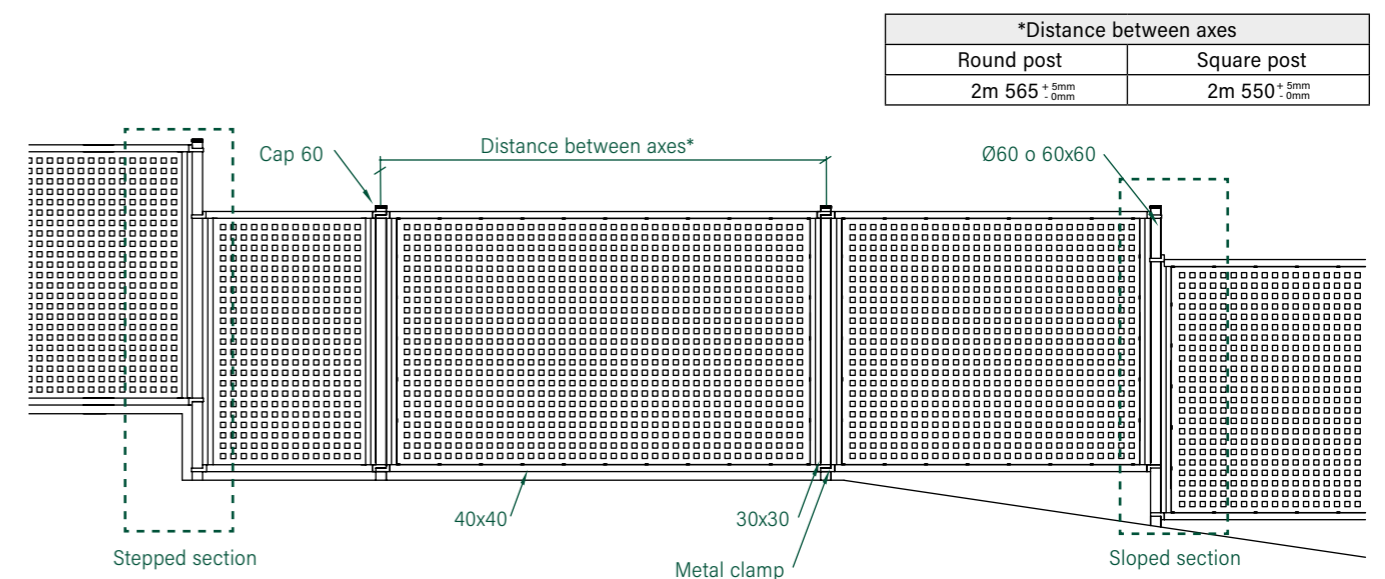
## Application places



Institutes & schools   Residential houses   Train stations   Hospitals   Parks & gardens

**10**  
YEARS OF  
GUARANTEE

## Assembly



- The fastening between post and frame is made using metal straps manufactured from sheets 1.5 mm thick that give it a robust aesthetic and are discreet at the same time.
- Non-removable safety bolt system that offers a perfect technical solution with a high level of aesthetics.
- The strap model alone can provide changes in direction at different angles, slopes and stepped sections without the need for welds.
- On the stepped section and the sloping section, the longest post (normal length and step/drop) is placed on the lower part and fixed to the frames of both upper and lower sections

# Technical features

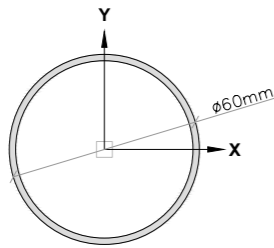
## POST

- Ø60x2mm steel-plated posts, depending on height
- Polypropylene cap which will not degrade in harsh weather.

### Detail of round post

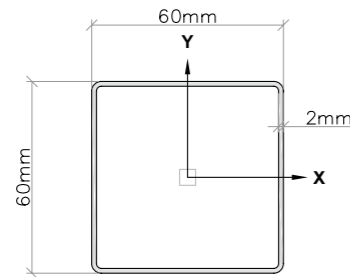
Profile Ø60x2mm  
Profile weight: 2.86Kg/ml  
Galvanised sheet Z-275  
I/V= 5.11cm<sup>3</sup>

Profile Ø60x3mm  
Profile weight: 4.22Kg/ml  
Galvanised sheet Z-275  
I/V= 7.29cm<sup>3</sup>



### Detail of square post

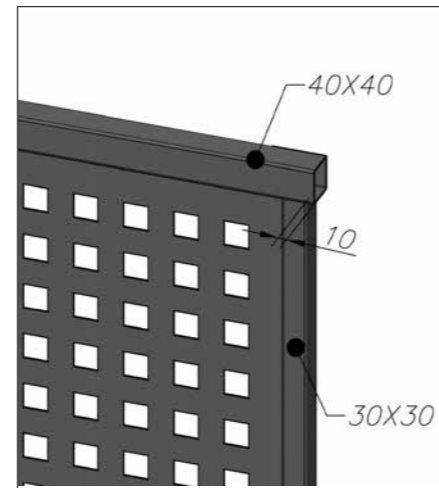
Profile 3.56Kg/ml  
Galvanised sheet Z-275  
Thickness 2mm  
I/V= 8.38cm<sup>3</sup>



## PANEL

- Panel made of 40x40x1.5 horizontal sections and 30x30x1.5 vertical sections, with plate perforated in squares of 30x30mm with a thickness of 1.5mm
- Rapid assembly without welding

### Detail of panel Nové

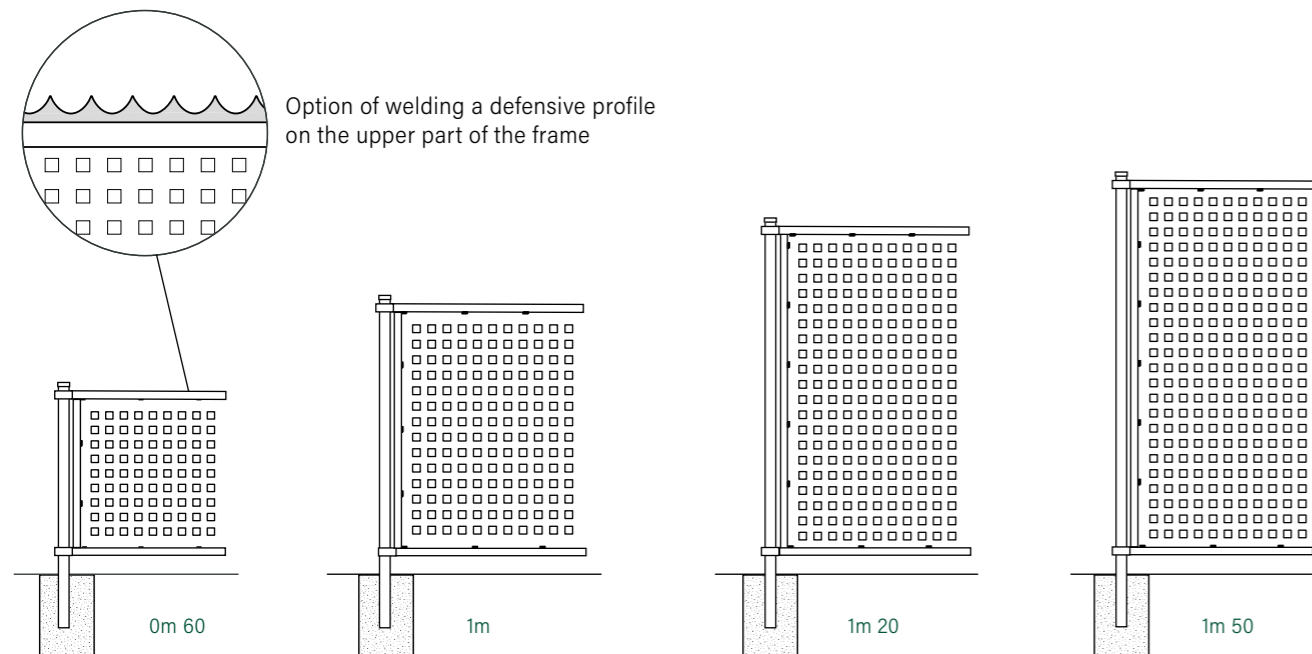


\*Option: round perforation

FENCE HEIGHT	PANEL		POST				LENGTH	
	LENGTH	TYPE	ROUNDED POST		SQUARED POST		FOUNDATION	PLATE
			TYPE (mm)	DISTANCE BETWEEN POST AXES	TYPE (mm)	DISTANCE BETWEEN POST AXES		
0m 60	2m 480	0m 689	Ø60x2	2m 565 <sup>+5mm</sup> <sub>-0mm</sub>	60x60x2	2m 550 <sup>+5mm</sup> <sub>-0mm</sub>	1m	0m 75
1m		0m 989					1m 30	1m 05
1m 20		1m 200					1m 50	1m 25
1m 50		1m 500					1m 90	1m 55

NOTE: For sections with more than 10 frames, it is advisable to readjust the interaxes so as not to accumulate errors in the measurement.

## Fence height



## Round post

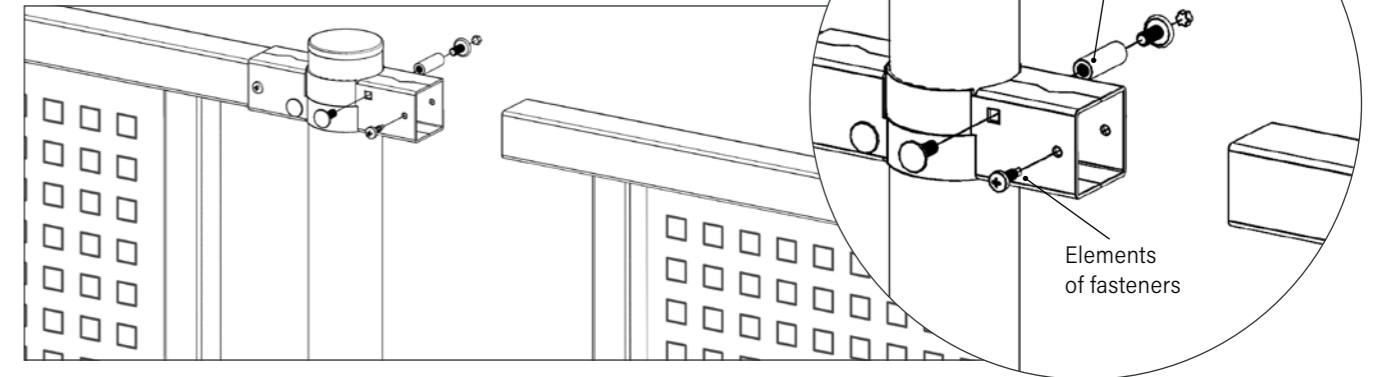
The connection between the post and the frame is made with 1.5 mm thick sheet metal clamps, which offer a robust but discreet appearance.

ROUND POST CONNECTION SYSTEM APPLICATION	
APPLICATION	Ø60mm round posts
MATERIAL	Metal clamps made of 1.5mm thick galvanized sheet metal.
FINISHING	The clamps are plasticized with Rivisa's Protecline coating system and in the same color as the gate.
COMPOSITION	Clamp + Bolts and screws

UNITS PER POST	
INTERMEDIATE POSTS / ANGLE	4 pcs. post
EXTREME POSTS	2 pcs. post

### INTERMEDIATE POST

Install the attachment to make a special-width panel and bolt the assembly to the post attachment.



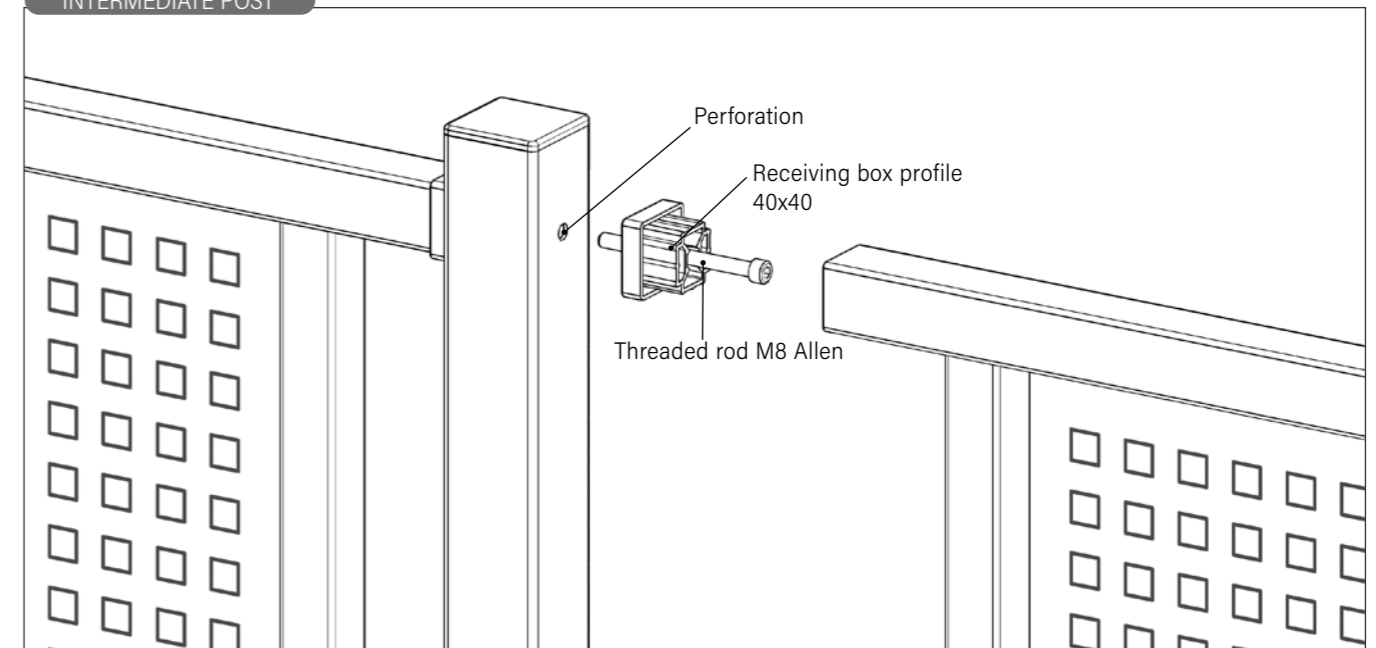
## Square post

The connection between post and frame is made with high-strength plastic bushings.

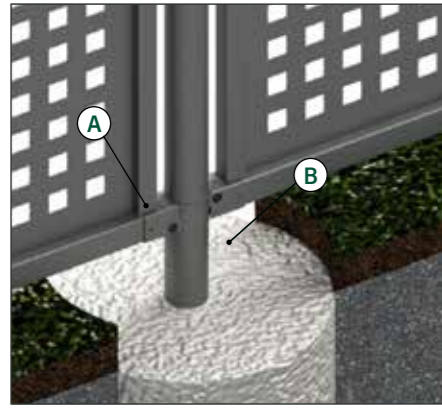
SQUARE POST CONNECTION SYSTEM	
APPLICATION	60x60mm square posts
MATERIAL	Sleeves manufactured in polypropylene
FINISHING	Polypropylene black colour
COMPOSITION	Bushing + M8 Screws + M8 Nut

INTERMEDIATE POSTS	
INTERMEDIATE POSTS	4 pcs. bushing + 2 pcs. screws
ANGLE POST	4 pcs. bushing + 4 pcs. screws
EXTREME POSTS	2 pcs. bushing + 2 pcs. screws

### INTERMEDIATE POST



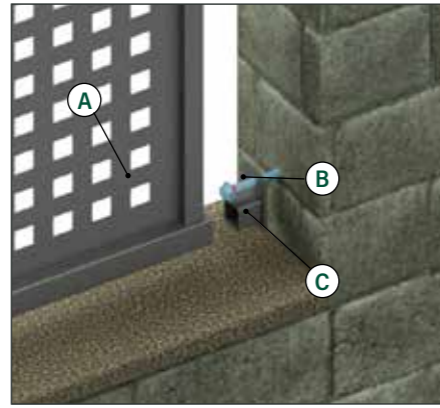
# Anchoring systems



## FOUNDATION

Post installation with concrete footings.

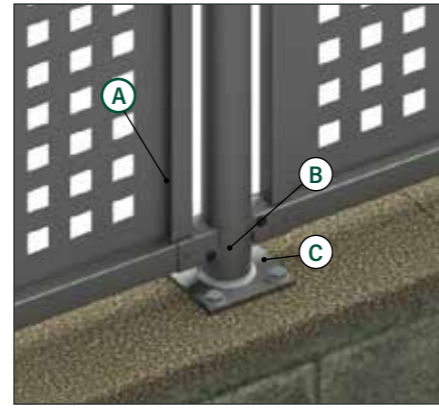
- A. Post
- B. Foundation



## WIDTHR

Option of installing the fence with a side plate.

- A. Nové fence frame
- B. Wall plate
- C. Anchor



## BASE PLATE

A base plate can be used to install the posts on the concrete wall, or for fences less than 2m high.

- A. Post
- B. Wall plate
- C. Anchor

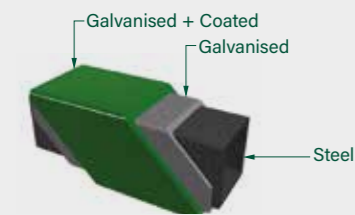
# Anticorrosion coating

All the materials of system are hot dip galvanised and plastic coated with **Rivisa® Protecline** anticorrosion coating system.

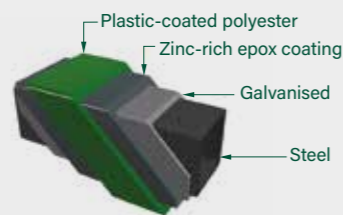
- Minimum thickness: 100 microns
- Option of applying the **Rivisa® Protecline Plus** plastic coating, which prolongs the useful life of the materials
- Option of applying the **Rivisa® Protecline Plus triple** plastic coating, which prolongs the useful life of the materials
- Available in several colours from the Rivisa RAL chart. Colours:

- Oxiron
- Gray RAL 7016
- For other colours see Rivisa RAL chart

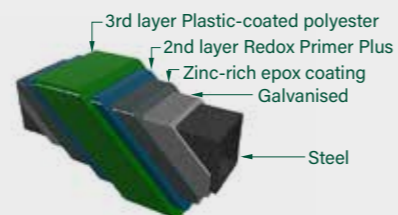
## protecline



## protecline PLUS

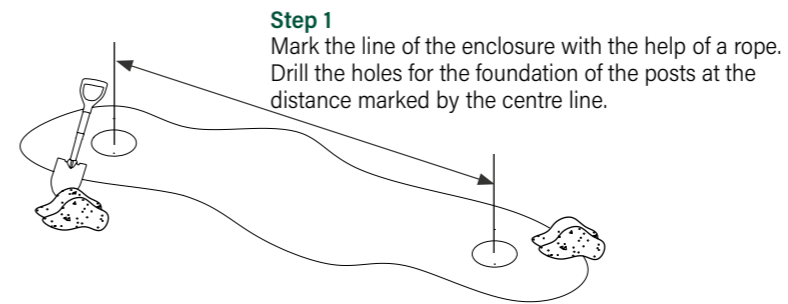


## protecline TRIPLE

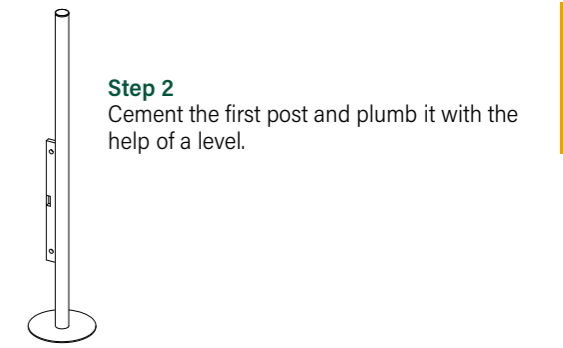


# Assembly manual

## Preparing the ground

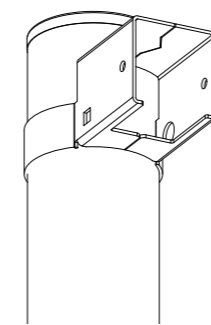


**Step 1**  
Mark the line of the enclosure with the help of a rope. Drill the holes for the foundation of the posts at the distance marked by the centre line.

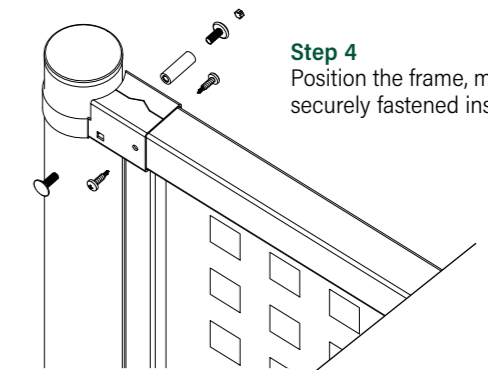


**Step 2**  
Cement the first post and plumb it with the help of a level.

## Post and clamp assembly

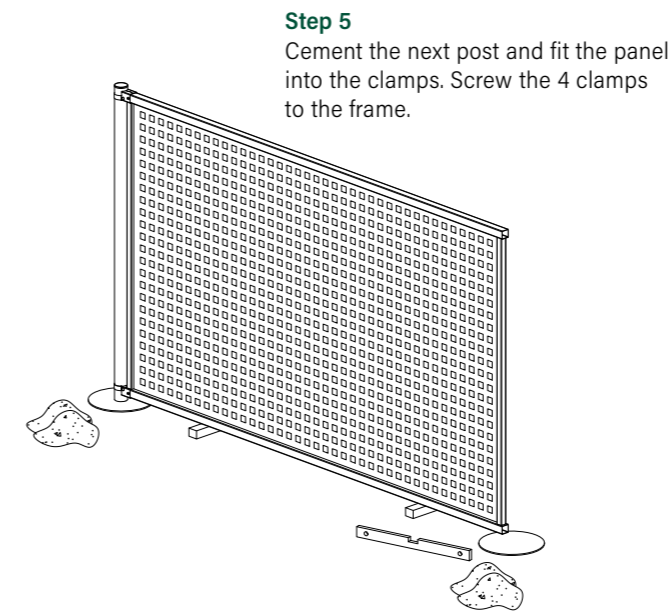


**Step 3**  
Mount the metal clamp on the post (4 pcs. per intermediate post and 2 pcs. per end post).



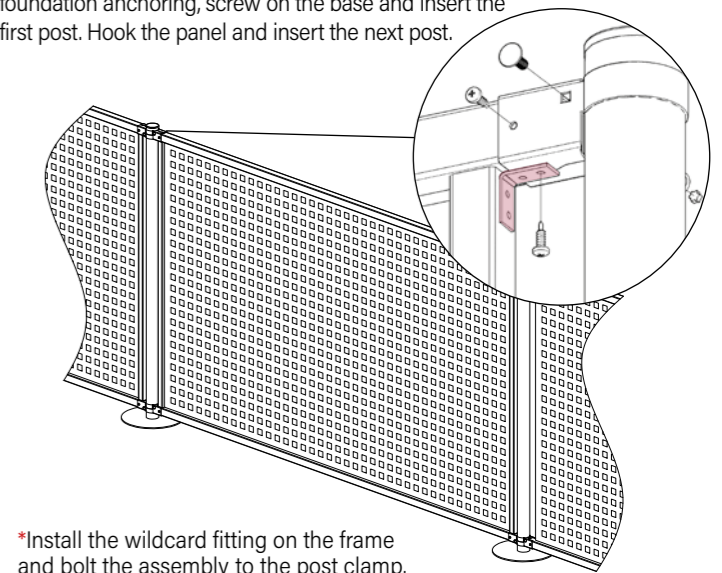
**Step 4**  
Position the frame, making sure that it is securely fastened inside the clamps.

## Frame and end section assembly



**Step 5**  
Cement the next post and fit the panel into the clamps. Screw the 4 clamps to the frame.

**Step 6**  
If base plate anchoring has been used instead of foundation anchoring, screw on the base and insert the first post. Hook the panel and insert the next post.



\*Install the wildcard fitting on the frame and bolt the assembly to the post clamp.



NOVÉ