

ULTRA[®] ROND SYSTEM

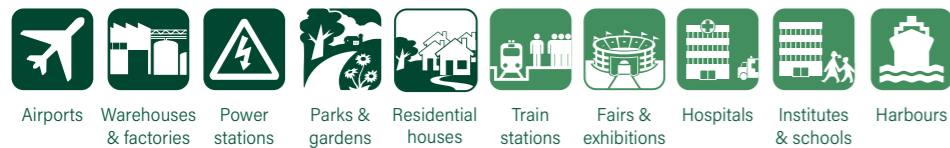


10
YEARS OF
GUARANTEE

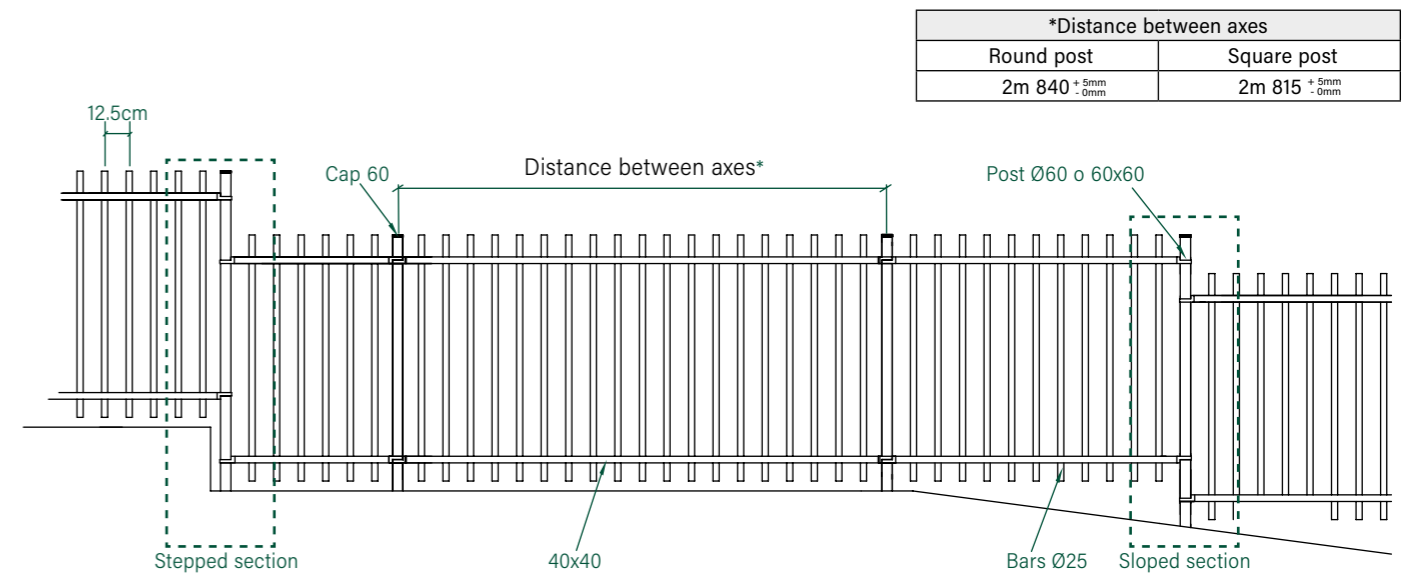
OUTSTANDING

- Fence has a restrained, elegant industrial design
- Fence has a robust and deterrent appearance
- Rapid and simple erection
- Non-removable security screw system
- Unique and versatile post/frame fastening system

Application places



Assembly



THE STEPPED SECTION AND THE SLOPING SECTION

- Non-removable safety bolt system that offers a perfect technical solution with a high level of aesthetics.
- The strap model alone can provide changes in direction at different angles, slopes and stepped sections without the need for welds.
- On the stepped section and the sloping section, the longest post (normal length and step/drop) is placed on the lower part and fixed to the frames of both upper and lower sections.

Technical features

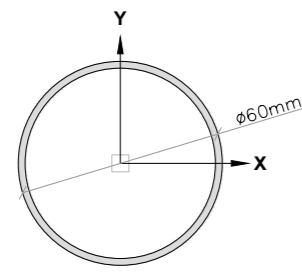
POSTS AND ACCESSORIES

- Steel sheet posts measuring Ø60x2mm, Ø60x3mm y 60x60x2mm according to the height
- Polypropylene cap resistant to atmospheric agents.

Detail of round post

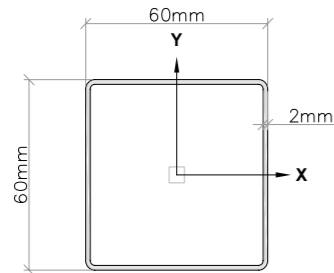
Profile Ø60x2mm
Profile weight: 2.86Kg/ml
Galvanised sheet Z-275
I/V= 5.11cm³

Profile Ø60x3mm
Profile weight: 4.22Kg/ml
Galvanised sheet Z-275
I/V= 7.29cm³



Detail of square post

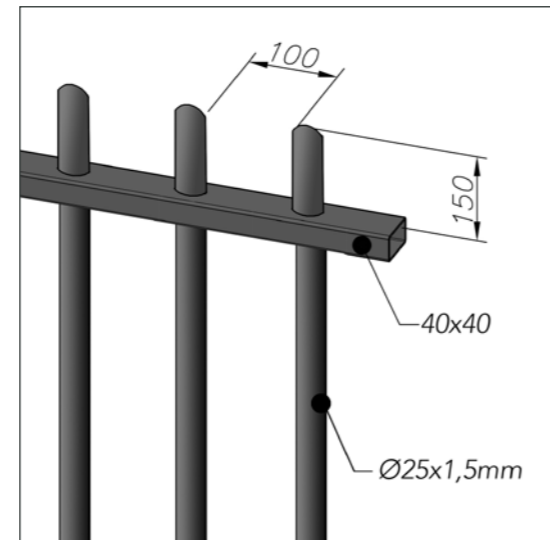
Profile 3.56Kg/ml
Galvanised sheet Z-275
Thickness 2mm
I/V= 8.38cm³



PANEL

- Frame made of 40x40x1.5mm profiles (horizontal) and round profile bars Ø25x1.5mm thick (vertical).
- Quick assembly without welding

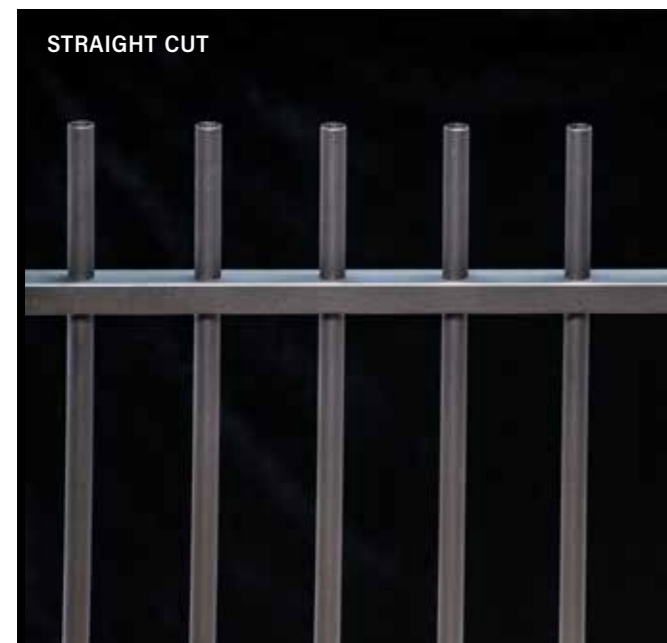
Panel detail



TYPE	PANEL		POST				LENGTH	
	LENGTH	TYPE	ROUND POST		SQUARE POST		FOUNDATION	ON PLATE
			TYPE (mm)	DISTANCE BETWEEN POST AXES	TYPE (mm)	DISTANCE BETWEEN POST AXES		
1m	2m 750	1m	Ø60x2	2m 840 ^{+5mm} _{-0mm}	60x60x2	2m 815 ^{+5mm} _{-0mm}	1m 30	1m 05
1m 20		1m 20					1m 50	1m 25
1m 50		1m 50					1m 90	1m 55
1m 80		1m 80	2m 15				1m 85	
2m		2m	Ø60x3				2m 35	2m 05

NOTE: For sections with more than 10 frames, it is advisable to readjust the interaxes so as not to accumulate errors in the measurement.

Finishes



Round post

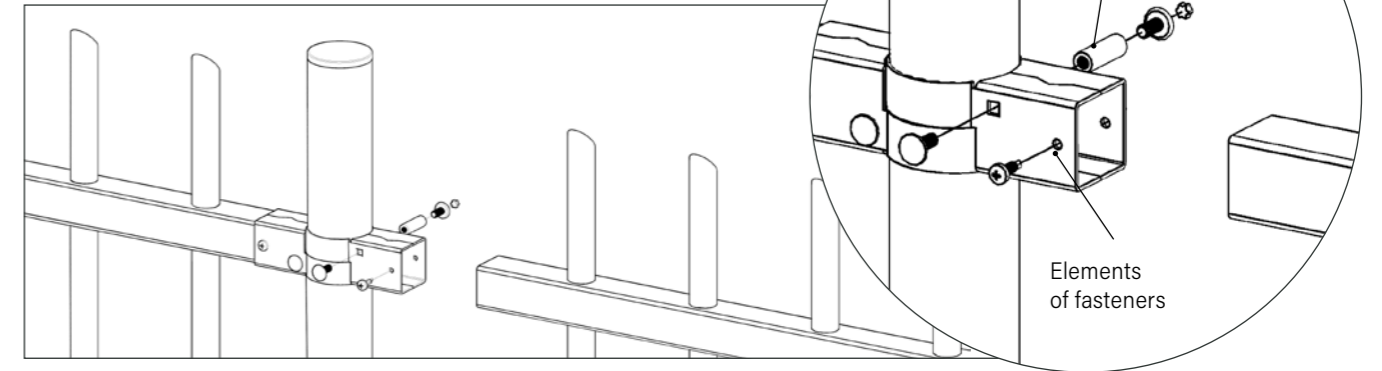
The connection between the post and the frame is made with 1.5 mm thick sheet metal clamps, which offer a robust but discreet appearance.

ROUND POST CONNECTION SYSTEM APPLICATION	
APPLICATION	Ø60mm round posts
MATERIAL	Metal clamps made of 1.5mm thick galvanized sheet metal.
FINISHING	The clamps are plasticized with Rivisa's Protecline coating system and in the same color as the gate.
COMPOSITION	Clamp + Bolts and screws

UNITS PER POST	
INTERMEDIATE POSTS / ANGLE	4 pcs. post
EXTREME POSTS	2 pcs. post

INTERMEDIATE POST

Install the attachment to make a special-width panel and bolt the assembly to the post attachment.



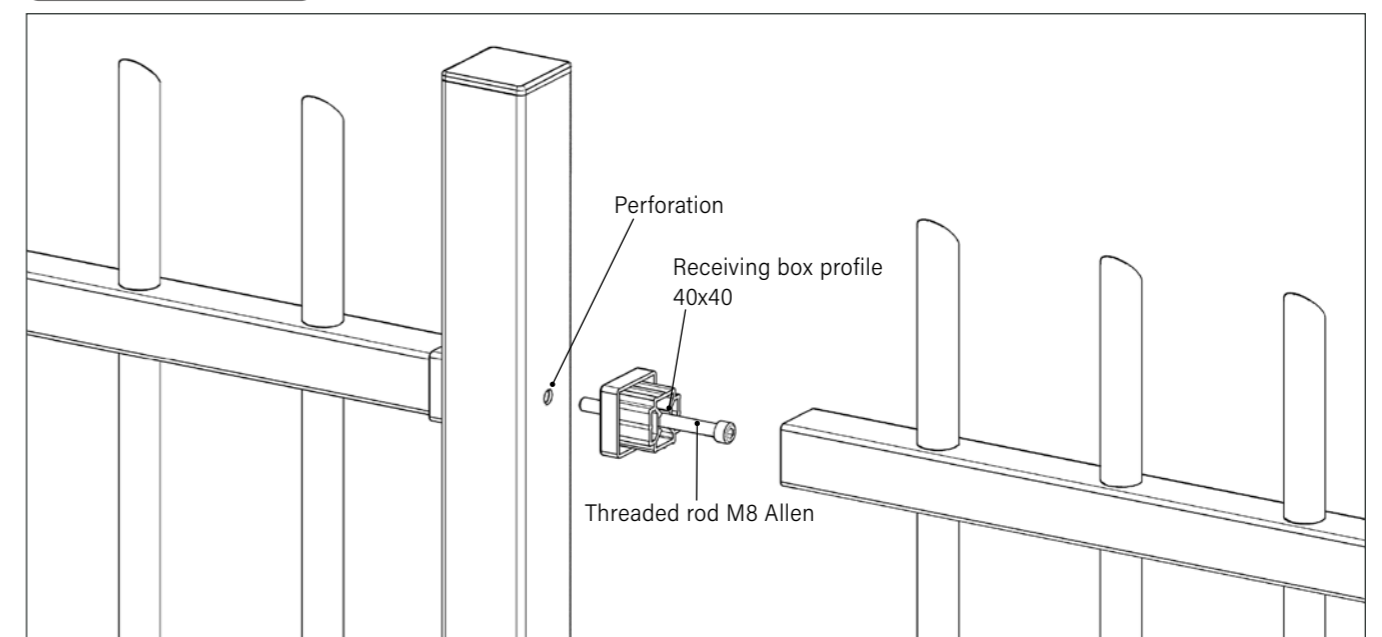
Square post

The connection between post and frame is made with high-strength plastic bushings.

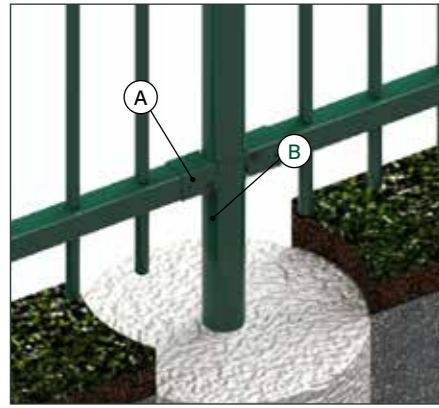
SQUARE POST CONNECTION SYSTEM	
APPLICATION	60x60mm square posts
MATERIAL	Sleeves manufactured in polypropylene
FINISHING	Polypropylene black colour
COMPOSITION	Bushing + M8 Screws + M8 Nut

INTERMEDIATE POSTS	
INTERMEDIATE POSTS	4 pcs. bushing + 2 pcs. screws
ANGLE POST	4 pcs. bushing + 4 pcs. screws
EXTREME POSTS	2 pcs. bushing + 2 pcs. screws

INTERMEDIATE POST



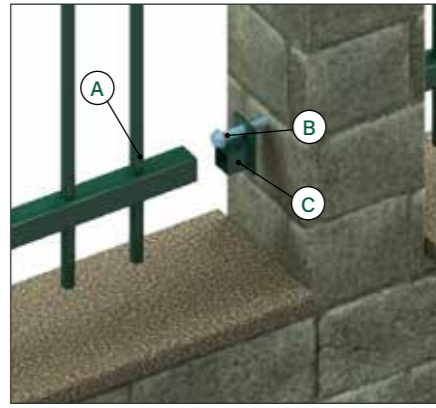
Anchoring systems



FOUNDATION

Post installation with concrete footings.

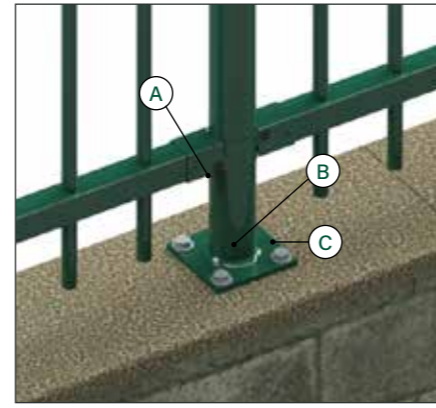
- A. Post
- B. Foundation



WIDTHR

Option of installing the fence with a side plate.

- A. Ultra Rond fence frame
- B. Wall plate
- C. Anchor



BASE PLATE

Option of incorporating base plate to install the posts on concrete walls and gates with a height > 2m. Dimensions of the plate 120x120x8mm.

- A. Post
- B. Wall plate
- C. Anchor

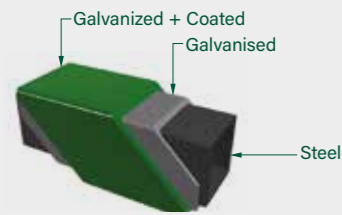
Anticorrosion coating

All the materials of system are hot dip galvanised and plastic coated with **Rivisa® Protecline** anticorrosion coating system.

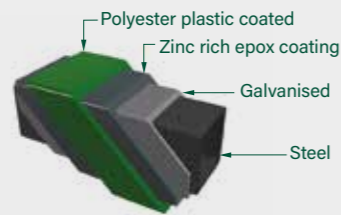
- Minimum thickness: 100 microns
- Option of applying the **Rivisa® Protecline Plus** plastic coating, which prolongs the useful life of the materials
- Option of applying the **Rivisa® Protecline Plus triple** plastic coating, which prolongs the useful life of the materials
- Available in several colours from the Rivisa RAL chart. Colours:

- White RAL-9016
- Green RAL-6005
- Gray RAL-7016
- For other colours see Rivisa RAL chart

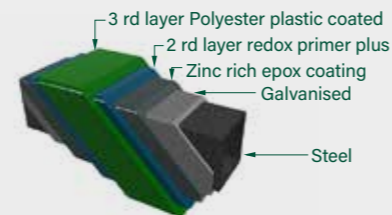
protecline



protecline PLUS

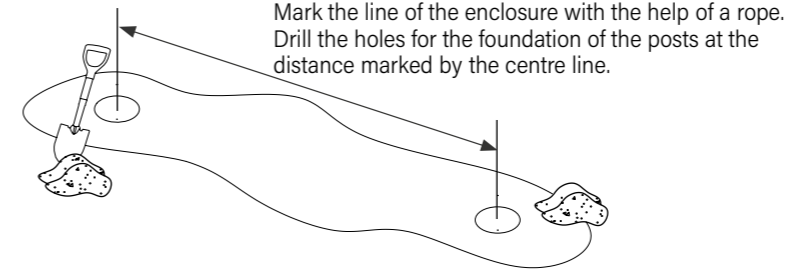


protecline TRIPLE

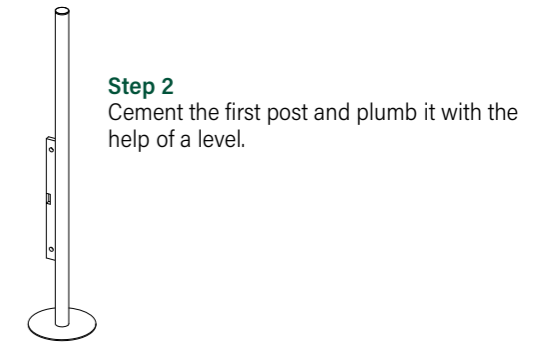


Assembly manual

Preparing the ground

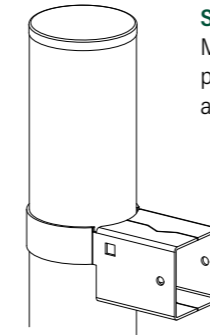


Step 1
Mark the line of the enclosure with the help of a rope. Drill the holes for the foundation of the posts at the distance marked by the centre line.

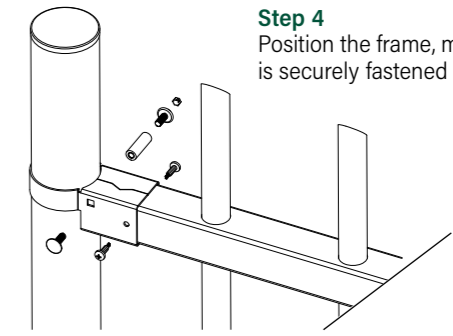


Step 2
Cement the first post and plumb it with the help of a level.

Post and clamp assembly

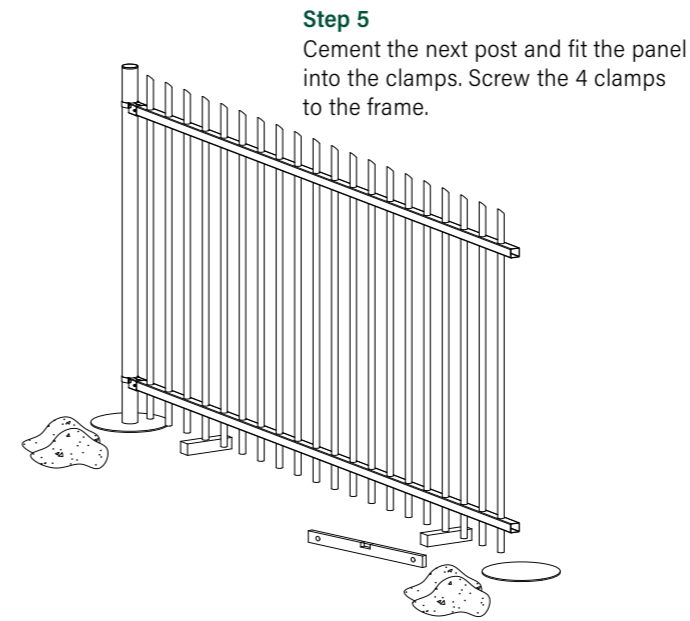


Step 3
Mount the metal clamp on the post (4 pcs. per intermediate post and 2 pcs. per end post).

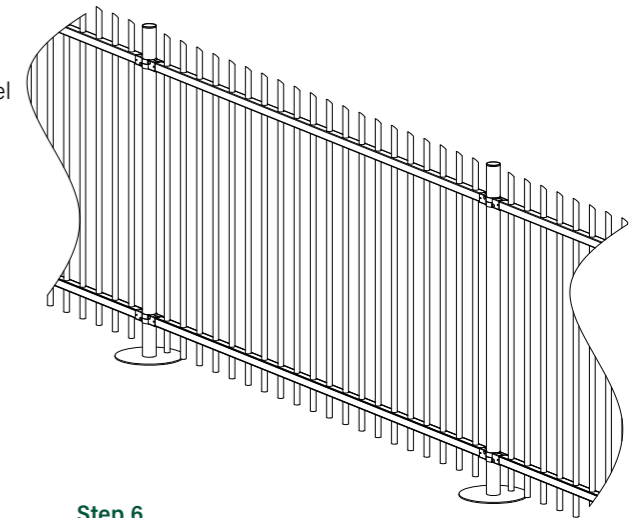


Step 4
Position the frame, making sure that it is securely fastened inside the clamps

Frame and end section assembly



Step 5
Cement the next post and fit the panel into the clamps. Screw the 4 clamps to the frame.



Step 6
Repeat the operation as many times as necessary. If base plate anchoring has been used instead of foundation anchoring, screw the base and insert the first post.

